

# ¥Aj «r

PAæ,AA	«µAAIAA	¥AAI ,AASÉa
1	! ÁpPÉ	2
2	αUA <sup>a</sup> AA ¥Aj ZIAIAA	3
3	αUA <sup>a</sup> AAZÀ PÁAIAAΘαAw « <sup>a</sup> AgAuÉ	5
4	αUA <sup>a</sup> AAZÀ gAZAEE/ ,AgAAE¥A	5
5	αUA <sup>a</sup> AAZÀ αZÉAO±APAgAAUAVAA, E ÁSÁ <sup>a</sup> AAARa ,AgAAUAVÁ « <sup>a</sup> AgAUAVAA	6
6	CΦPÁJ / <sup>1</sup> SÁCUAVAA G¥AAIÉÉAV ,AA <sup>a</sup> PÁ - AZÉUAVAA, αAIAA <sup>a</sup> AIÁ <sup>a</sup> AI½UAVAA <sup>a</sup> AAVAAUPEÉ ; rUAVAA	16
7	ZÉÉAAΦEÁ DqA½VÁZÀ <sup>o</sup> eC <sup>1</sup> VÁZÁ <sup>o</sup> gAA <sup>a</sup> Á ,A«ÁW/G¥A ,A«ÁWUAVAA	18
8	E <sup>-</sup> ÁSÁ <sup>a</sup> AgAA <sup>o</sup> ÉEuEUÁj PEUAVAA	19
9	F ±ÁEÉa PÁEÁOIT PA gA ,ÉU ,Aj UE ,AA ,EIAIAA <sup>o</sup> e α <sup>a</sup> AO» ,A <sup>o</sup> qAA <sup>a</sup> A E <sup>-</sup> ÁSÁ <sup>a</sup> AgAA zÁR <sup>-</sup> ÉUAVÁ ¥ArO	47
10	αUA <sup>a</sup> AAZÀ zÁR <sup>-</sup> ÉUAVÁ «AUAgAuÉ <sup>a</sup> AAVAAU α <sup>a</sup> AO <sup>o</sup> AuÉ	65
11	¥AAIAIAÉPÁgA CEAPPAE <sup>o</sup> PÁV ¥AAIAIAÉPÁgA ,AEABZAA	66
12	<sup>o</sup> AAZÉPÁAgAA <sup>a</sup> ÉAVÁEA ±ÉAuÉ	98
13	PEÁAZkPÁbÉÁj AIAA <sup>o</sup> ePÁVÁO <sup>a</sup> AA α <sup>a</sup> AO» <sup>1</sup> wGAA <sup>a</sup> A CΦPÁJ UAVAA <sup>a</sup> AAVAAU <sup>1</sup> SÁC <sup>a</sup> AUAÖZÀ <sup>o</sup> AAZÉY <sup>o</sup> ÁUAE <sup>a</sup> ÉAVÁEA « <sup>a</sup> AgA	95
14	<sup>a</sup> AIÁ»w <sup>o</sup> APAA CΦPÁIAA <sup>a</sup> AAZAEAAIAA <sup>a</sup> AIÁ»w ¥AgÉAIAAA <sup>a</sup> «zÁEA	66
15	,Á <sup>a</sup> AOdαPA <sup>o</sup> AIÁ»w CΦPÁJ AIAA <sup>a</sup> AgA <sup>a</sup> AAVAAU MAZÁEÉÁ <sup>a</sup> ÉÁÁ <sup>o</sup> ÉÁ« ¥ÁΦPÁgA ,AJA « <sup>a</sup> AgA	68











gÀ,ÉÜ ,Áj UÉ αUA<sup>a</sup>AAUA<sup>1/4</sup> CΦ<sup>π</sup>Ai<sup>a</sup>AA<sup>a</sup>AA 1950 gÀ ,ÉPÀÉ'i 5(2) °ÁUÀÆ PÀÉÁØI PÀ gÁdà gÀ,ÉÜ ,Áj UÉ αUA<sup>a</sup>AAZÀ αA<sup>i</sup>AA<sup>a</sup>i<sup>a</sup>A<sup>1/2</sup>UA<sup>1/4</sup>AA 1961 gÀ αA<sup>i</sup>AA<sup>a</sup>AA 3(3) gÀAvÉ gÁdà ,APÁØgÀ<sup>a</sup>AA αZÉØ<sup>±</sup>APÁgÀ<sup>a</sup>AAqÀ<sup>1/2</sup>UÉ αZÉØ<sup>±</sup>APÁgÀ<sup>a</sup>AAUA<sup>1/4</sup>AEÀAB EÉÁ «<sup>a</sup>,AA<sup>a</sup> CΦ<sup>π</sup>ÁgÀ °ÉÆAΦgÀ<sup>a</sup>AvÁZÉ.

αZÉØ<sup>±</sup>APÁgÀ<sup>a</sup>AAqÀ<sup>1/2</sup>AA PÁAAØ<sup>a</sup>Áà !Ü

1. GVÁØ<sup>π</sup>AA ,Áj UÉ ,É<sup>®</sup>·<sup>a</sup>AEÀAB PÀr<sup>a</sup>ÉÁ zÁgÀzÀ °è<sup>a</sup>AA<sup>a</sup>AA<sup>1</sup>U<sup>a</sup>ÁV MzÁV ,Á<sup>®</sup>Á αUA<sup>a</sup>AAZÀ DqÀ<sup>1/2</sup>vÀ
2. αUA<sup>a</sup>AAZÀ GzÉ<sup>±</sup>UA<sup>1/4</sup>AEÀAB ¥Áj uÁ<sup>a</sup>APÁj A<sup>i</sup>iÁV eÁj UÉ vÁgÀ<sup>®</sup>Á CΦ<sup>π</sup>Áj UA<sup>1/2</sup>UÉ w<sup>a</sup>iÁiÁØÉÁ vÉUÉzÁAPÉÆ<sup>1/4</sup>AA<sup>a</sup> CΦ<sup>π</sup>ÁgÀ<sup>a</sup>AEÀAB ¥Á<sup>a</sup>ÁiÉÆ<sup>Á</sup>f ,AA<sup>a</sup>AAzÁÁ.
3. ,AA,ÉU<sup>i</sup>AA<sup>1</sup>ÜÁ-ZÁgÀ D<sup>1</sup>U<sup>a</sup>ÁAEÀAB ¥ÁqÉA<sup>i</sup>AA<sup>a</sup>AAzÁÁ °ÁUÀÆ «<sup>-</sup>É<sup>a</sup>Áj<sup>a</sup> A<sup>i</sup>ÁqÀ<sup>a</sup>AAzÁÁ.
4. PÀαμ<sup>×</sup><sup>a</sup>AAÆgÀ wAU<sup>1/2</sup>UÉÆ<sup>a</sup>ÉÁ<sup>a</sup> AAqÀ<sup>1/2</sup> ,Á<sup>i</sup>ÁiÁAEÀAB EÁqÉ<sup>1</sup> , αUA<sup>a</sup>AAZÀ PÁAAØZÁI Á<sup>a</sup>ÁnPE<sup>·</sup>ÉwPÀ<sup>a</sup>AvÁÜ DyØPÀ PÁAAØ<sup>·</sup>Á<sup>a</sup>ÁPE<sup>è</sup> <sup>-</sup>ÉPÁAvÁæ ¥Áj ±ÉÆÁzÁÉÉ EvÁáΦ «μ<sup>a</sup>AAUA<sup>1/4</sup>AEÀAB ¥Áj z<sup>Á</sup>°<sup>1</sup> ,ÁEPÁÜ oÁgÁ<sup>a</sup>AAUA<sup>1/4</sup>AEÀAB °ÉÆgÀr<sup>1</sup> CÉAAμ<sup>Á</sup>ÁÆAUÉÆ<sup>1/2</sup> ,AA<sup>a</sup>AAzÁÁ.
5. αUA<sup>a</sup>AAZÀ<sup>a</sup>Á<sup>π</sup>ØPÀ SeÉmi<sup>a</sup>AvÁÜ<sup>-</sup>ÉPÁI ¥Áj ±ÉÆÁzÁÉÉ ¥Áj z<sup>Á</sup>°ÉÉ<sup>a</sup>AvÁÜ CÉAA<sup>a</sup>ÉÆÁzÁÉÉ.
6. PÉÁAzÁæ ,APÁØgÀ<sup>a</sup>AvÁÜ gÁdà ,APÁØgAPÉI αA<sup>i</sup>AvÁPÁ°PÁÁV PÁ<sup>1/4</sup>AA» ,Á<sup>i</sup>ÉÁPÁzÁ<sup>-</sup>ÉPÁAvÁAA<sup>1/4</sup> «<sup>a</sup>ÁgÀ CÉAA<sup>a</sup>ÉÆÁzÁÉÉ.
7. ¥Á<sup>a</sup>iÁiÁt zÁgÀ °ÁUÀÆ CΦ<sup>π</sup>Áj /EÉPÁgÁgÀ<sup>a</sup>ÉAvÁEÁ ¥Áj μÁgÁuÉ.
8. ,APÁØgÀ<sup>a</sup>AA PÁ<sup>®</sup> PÁ<sup>®</sup>PEI °ÉÆgÀr ,AA<sup>a</sup> αÁw αA<sup>i</sup>AA<sup>a</sup>AA DzÉÁ<sup>±</sup>Á EvÁáΦUA<sup>1/4</sup> ¥Áj z<sup>Á</sup>°ÉÉ<sup>a</sup>AvÁÜ C<sup>1/4</sup>AA<sup>a</sup>rPE.





**North Eastern Karnataka Road Transport Corporation Central Office Kalaburagi**

**Detail of Mobile Numbers**

**SECTION-4[1] [B] 2016**

<b>NAME</b>	<b>Designation</b>	<b>Grade</b>	<b>Mobile</b>	<b>Region</b>
H S Ashokananda	Managing Director	I A S	7899930137	Central Office
K.N.Khanappanavar	Chief Accounts Officer. / F.A	CLASS-1ST	7760992005	Central Office
B. Mukkanna	General Manager (Technical)	CLASS-1SG	7760992001	Central Office
Meheboob Saheb	Chief Civil Engineer (I/C)	CLASS-1SG	7760992033	Central Office
Manjula V Toshikhane	Chief Personnel Manager	CLASS-1S/SG	7760996162	Central Office
S.B.Doddamani	Chief Planning And Statistical Officer	CLASS-1SR/SG	7022011664	Central Office
Sri Ram	Chief Traffic Manager [I/C]	CLASS-1 SR	7760992000	Central Office
S.D. Sarikar	Chief Labour & Welfare Officer	CLASS-1SR/SG	7899930160	Central Office
H. Vasant	Chief Security & Vigilance Officer	Class -1 SG	7899930138	Central Office
S.B.Rotti	Chief Law Officer	CLASS-1SR/SG	7760992012	Central Office
P.Rajshhekarmurthy	Chief Statistician	CLASS-1SR	7060300114	Central Office
Sunilkumar Chandargi	Dy Chief Labour Welfare Officer	CLASS-1JR	7760992065	Central Office
Sri Ram	Dy Chief Traffic Manager	CLASS-1 SR	7760992067	Central Office
B D Basavlingappa	Dy Chief Traffic Manager	CLASS-1 SR	7760992022	Central Office
K M Ashraf	Dy Chief Personnel Manager	CLASS-1SR	9663877885	Central Office
G.R.Venkateshwara Reddy	Board Secretary	CLASS-1SR	9663877885	Central Office
H.C.Basvarajappa	Dy Chief Mechanical Engineer	CLASS-1SR	9663855997	Central Office
Shivanand.M. Kavalikai	Controller Of Stores And Purchase	CLASS-1SR	7760686172	Central Office
Anand Bandrakali	Deputy CS&VO	CLASS-1JR	7760992026	Central Office
Sridevi G.S	Dy Chief Accounts Officer	CLASS-1 SR	7760992006	Central Office
Munirajappa	Dy Chief Accounts Officer	CLASS-1 SR	9731352176	Central Office
S.D.Bhavikatti	Dy Chief Law Officer	CLASS-1SR	7899930161	Central Office
I.M.Biradar	Divisional Traffic Officer	CLASS-1JR	7760992893	Central Office
Manjunath	Administrative Officer	CLASS-1 JR	7760992009	Central Office
Venktesh Janadri	Ps To Managing Director	CLASS-3	7760993438	Central Office
Satish.S.Manganavar	Stores Officer	CLASS-1JR	7760992029	Central Office
R. V.Puranik	Divisional Mechanical Engineer	CLASS-1JR	7760992010	Central Office
Vinod kumar	Administrative Officer	CLASS-1 JR	7022879339	Central Office
Shivappa.J	Statistical Officer	CLASS-1JR	7760992046	Central Office
Sunita.P.Joshi	Assistant Statistical Officer	CLASS-2	7760992015	Central Office
Suresh.S.Pattar	Assistant Engineer	CLASS-1JR	7760992018	Central Office
Ramesh Patil	Assistant Traffic Manager	CLASS-2	7760992023	Central Office
Preeti Kale	Assistant Traffic Manager	CLASS-2	9731350644	Central Office
Sharada devi	Assistant Traffic Manager	CLASS-2	9108000707	Central Office
Ramesh P Choudry	AEE	CLASS-1JR	9108002629	Central Office
Savita Shetty	Asst law officer	CLASS-2	7760300113	Central Office
Suresh Kamitka	AME	CLASS-2	7760992291	Central Office
H.Channaveerappa	Assistant Engineer	CLASS-1JR	7760992064	Central Office
Shashikant .D.Patil	Supdt (Administration)	CLASS-3	9686552415	Central Office
Saibanna	Supdt (Administration)	CLASS-3	9731352177	Central Office
Sangappa Chettar	AWS (I/C)	CLASS-3	7760996691	Central Office
Pradeep	Asst Accounts Officer	CLASS-2	7760992007	Central Office
Ganapathi Goleya	Supervisor EST	CLASS-3	7760993440	Central Office
Srikant.S.D	Help Desh (Adm Section)	CLASS-3	7760992049	Central Office
Jettappa	Account Supervisor	CLASS-3	9731350645	Central Office
Md Hafeej ali	MD Driver	CLASS-3	7760992363	Central Office

Siddapa Palki	PF Trusty	CLASS-3	7760992030	Central Office
Pranesh	Laison Cell Bangalore	CLASS-4	7760990138	Central Office
Hariharhan	Laison Cell Bangalore	CLASS-4	7760992043	Central Office
Ganganna	Laison Cell Bangalore (Driver)	CLASS-4	7760992042	Central Office
Srinivas Gouda	Laison Cell Bangalore (PA to Minster)	CLASS-4	7760992041	Central Office
Umesh	Laison Cell Bangalore (ATI)	CLASS-4	7022879291	Central Office
Padmavati	ATI Laison Cell Bangalore	CLASS-3	7760992039	Central Office
R. Nagaraj	Stand I/C Vehicle At Cbs Bng	CLASS-3	7760992062	Central Office
Shrikanth Biradar	Driver To Managing Director	CLASS-3	9663805599	Central Office
Hameed Jr,Asst	Avatar	CLASS-3	8197829608	Central Office
Ravindra Jr Asst	Avatar	CLASS-3	8197829609	Central Office
Shivaprakasha	Supd[DFL]	CLASS-3	8197830277	Central Office
Santosh	Asst Accountant	CLASS-3	7760300116	Central Office
Manjunath. B	System Supervisor	CLASS-3	7760992016	Central Office
Padmavati	Liaison Office	CLASS-2	7760992039	Central Office
V.R.Reddy	ATM [CLS]	CLASS-2	7760992024	Central Office
M Vasu	Divisional Controller	CLASS-1ST	7760992100	Kalaburagi-1
Mahant Gouda	Control Point CBS Kalaburagi	CLASS-3	7760992122	Kalaburagi-1
Mehaboob Saheb	Executive Engineer	CLASS-1SR	7760992033	Kalaburagi-1
Nagesh Prasanna	D.M.E	CLASS-2	7760992101	Kalaburagi-1
M.A. Khadri	Divisional Traffic Officer	CLASS-1JR	7760992102	Kalaburagi-1
Mallikarjun	A.E.E(Civil) (I/C)	CLASS-1JR	7760992103	Kalaburagi-1
Smt. Sunita.S.Katake	A.S.O	CLASS-2	7760992104	Kalaburagi-1
Mallikarjun .Degalmadi	A.O.Adm	CLASS-1	7760992106	Kalaburagi-1
Mallikarjun. Jogur	Asst.Stat.Officer	CLASS-2	7760992107	Kalaburagi-1
V G Hosamani	ATS	CLASS-3	7760992108	Kalaburagi-1
Anwar Javed	Law Officer	CLASS-2J	7760992109	Kalaburagi-1
G S Kukkanoor	A.O. Accounts	CLASS-3	7760992110	Kalaburagi-1
Naganna	S.&V.O (I/C)	CLASS-2	7760992111	Kalaburagi-1
V Shankerappa	LWO	CLASS-2	7760992112	Kalaburagi-1
Nagesh Prasanna	D.M.Glb-1	CLASS-2	7760992113	Kalaburagi-1
N Manjunath	D.M.Glb-4	CLASS-2	7022012103	Kalaburagi-1
Vijay kumar Hosamani	DWS	CLASS-2	7060992150	Kalaburagi-1
I C Hosamani	D.M.Chincholi	CLASS-2	7760992117	Kalaburagi-1
Vittal Rao Kadam	D.M.Chittapur	CLASS-2	7760992119	Kalaburagi-1
Yashvanta Yatanoor	I/C DM Kalgi	CLASS-2	7760992120	Kalaburagi-1
Reservation Counter	CBS Klb	CLASS-2	7760992124	Kalaburagi-1
Naganna	D.S.I	CLASS-2	7760992125	Kalaburagi-1
Ashok Doddamani	Depot Manger. Sedam	CLASS-2	7760992466	Kalaburagi-1
Samiyuddin Shahin	Asst Engineer	CLASS-2	7760994475	Kalaburagi-1
Shankreappa	TI Cbs	CLASS-3	9686976451	Kalaburagi-1
D Kottreappa	Divisional Controller	CLASS-1 <sup>ST</sup> SR	7760992047	Kalaburagi-2
Anada Hugar	DM Afzalpur	CLASS-3	7760992121	Kalaburagi-2
Shashidhar Kulkarni	DTO	CLASS-1	7760984086	Kalaburagi-2
Praveen Yargola	DM-Jewargi	CLASS-2	7760992118	Kalaburagi-2
Baka Reddya	ATM (I/C)	CLASS-3	7760993920	Kalaburagi-2
Janaki Joshi	Stat Officer	CLASS-3	7760111655	Kalaburagi-2
M Venkatesh	Store officer	CLASS-2	9686552864	Kalaburagi-2
Gopal Makale	DWS (I/C)	CLASS-2	9108000712	Kalaburagi-2

Satish	DSI	CLASS-3	9108002623	Kalaburagi-2
Devraj K	ADM OFFICER	CLASS-1	7760566880	Kalaburagi-2
M B Karale	Accounts Officer	CLASS-1	7760566991	Kalaburagi-2
Mallinath Pujari	Labour & Welfare Officer	CLASS-2	9663176677	Kalaburagi-2
Manjunat.M.M	D.M-2	CLASS-2	7760992114	Kalaburagi-2
Shaik Hussain	DM-3	CLASS-3	7760992115	Kalaburagi-2
	Bus stand		7760973267	Kalaburagi-2
K L Chandrashekara	DM-Aland	CLASS-2	7760992116	Kalaburagi-2
MD Anwar Javeed	LAW OFFICER (I/C)	CLASS-2	9663099881	Kalaburagi-2
S S Kammara	DME	CLASS-1JR	9663848899	Kalaburagi-2
	Dy Chief S&Vo	CLASS-1JR	9686552866	Kalaburagi-2
A H Nagesh	Divisional Controller	CLASS-1SR	7760992200	Bidar
Dhulappa	DME	CLASS-1 JR	7760992201	Bidar
C S Phulekar	Divisional Traffic Officer	CLASS-1JR	7760992202	Bidar
Jagannath Jogannavru	AEE	CLASS-1JR	7760992203	Bidar
Ravi Kumar	Store Officer (I/C)	CLASS-2	7760992204	Bidar
Md Ishaq	DWS (I/C)	CLASS-3	7760992205	Bidar
Mahadevappa Uppin	AO Adm	CLASS-1JR	7760992206	Bidar
Basalingappa	ASST STAT OFFICER (I/C)	CLASS-3	7760992207	Bidar
Devraj Gouda	Depot Manger -2	CLASS-2	7760992208	Bidar
Narasappa	Asst Law Officer	CLASS-2	7760992209	Bidar
Ravi Kumar	ASST.ACCT OFFICER	CLASS-2	7760992210	Bidar
Mallikarjun	S&VO	CLASS-2	7760992211	Bidar
Narasappa	Labour& Welfare (I/C)	CLASS-2	7760992212	Bidar
Bhadrapa	DM-BDR-1	CLASS-2	7760992214	Bidar
	Stand (I/C) Bidar		9409556788	Bidar
Prafull Matha	DM-Hbd	CLASS-2	7760992215	Bidar
Rajshekar	DM-B.KALYAN	CLASS-2	7760992216	Bidar
Ishwar Parit	DM-Bhalki	CLASS-2	7760992217	Bidar
Nayeem	DM-AURAD (I/C)	CLASS-2	7760992218	Bidar
Laxaman	DSI	CLASS-3	7760992220	Bidar
Santosh Gogeri	Divisional Controller	CLASS-1SR	7760992450	Yadagir
Sanganna [I/C]	DSI	CLASS-3	7760992398	Yadagir
Timma Reddy	DIVISIONAL TRAFFIC OFFICER	CLASS-1	7760992452	Yadagir
Shankar	DWS (I/C)	CLASS-3	7760992455	Yadagir
Vishwanath	ASST ADMINISTRATIVE OFFICER	CLASS-2	7760992456	Yadagir
Ravi Shankar	ASST STSTISTICAL OFFICER	CLASS-2	7760992457	Yadagir
Jayvanth Eranna	Asst Traffic Manager [Dls]	CLASS-2	7760992458	Yadagir
Manjunath	ASST LAW OFFICER	CLASS-2	7760992459	Yadagir
Basavanthappa	ACCOUNTS OFFICER	CLASS-1JR	7760992460	Yadagir
Nagraj Warad	Depot Manger Yadgir	CLASS-2	7760992463	Yadagir
Ashok Kumar Bhovi	Depot Manager Shahapur	CLASS-2	7760992464	Yadagir
Faruq Hussaini	Depot Manager Gurumitakal	CLASS-2	7760992465	Yadagir
Shashidhara	Programme Administrative	CLASS-3	7760992449	Yadagir
Chandrakant	DIVISIONAL MECHANICAL ENGINEER	CLASS-1JR	7760992451	Yadagir
Ullas Joshi	Asst Executive Engineer	CLASS-2	7760992453	Yadagir
P S Algund	ASST STORE OFFICER	CLASS-2	7760992454	Yadagir
Sathyam Sundaram	SECURITY & VIGILANCE OFFICER[I/C]	CLASS-2	7760992461	Yadagir

Mahipal S Begar	Labour& Welfare Officer	CLASS-2	7760992462	Yadagir
Jayvanth Eranna	Depot Manager Surpur[I/C]	CLASS-3	7760992467	Yadagir
Himavardhan Naidu	Works Manager	CLASS-1SR	7060992031	Yadagir RWS
Basavnthappa B M	ACCOUNTS OFFICER (I/C)	CLASS-2	8197830275	Yadagir RWS
T D Pradeep Kumar	AME	CLASS-2	7060992040	Yadagir RWS
Sredevi	S&VO	CLASS-2	7060992038	Yadagir RWS
P S Mallikarjuna	DWM	CLASS-1JR	7060992037	Yadagir RWS
	AAO (ADM)	CLASS-2	9741531862	Yadagir RWS
V H Santosh Kumar	Divisional Controller	CLASS-1SR	7760992350	Raichur
M Malleshi	DME	CLASS-1JR	7760992351	Raichur
R.K.Jadhav	Dme	CLASS-2	7760992352	Raichur
Gurulingappa	Aao [ Adm]	CLASS-2	7760992353	Raichur
Nazeer Ahamed	Svo	CLASS-2	7760992354	Raichur
Basavraj	ASST ACCOUNT OFFICER (I/C)	CLASS-2	7760992355	Raichur
Jagannat Jogannanavar	Lwo (I/C)	CLASS-2	7760992356	Raichur
Jagannat Jogannanavar	Aee	CLASS-1JR	7760992357	Raichur
M A Bakar	Alo	CLASS-2	7760992358	Raichur
Ku Sraswati	Aso	CLASS-2	7760992359	Raichur
R B Jadav	Aso[Stat]	CLASS-2	7760992360	Raichur
R L Ravi Shankar	DM-MAS KI	CLASS-2	7760992361	Raichur
C V Itagi	Dm-Rch-1	CLASS-2	7760992363	Raichur
M Mahadev Swami	DM-RCH-2	CLASS-2	7760992364	Raichur
P B Doddamani	Dm-Lgs	CLASS-2	7760992365	Raichur
Siddappa	DM-SINDANOOR	CLASS-2	7760992366	Raichur
G R Dayanda	Dm-Manvi	CLASS-2	7760992367	Raichur
Hassanali	Dm-Devadurga	CLASS-2	7760992368	Raichur
Ramesh	Atm	CLASS-2	7760992370	Raichur
Manikrao Saraf	DSI	CLASS-3	7760992371	Raichur
Chandrashekar Itagi	Dws	CLASS-3	9663457788	Raichur
B Borayya	Divisional Controller	CLASS-1SR	7760992400	Koppal
K. H.Bangari	Stat Officer	CLASS-2	7760992410	Koppal
B R Talawar	Store Officer	CLASS-2	7760992409	Koppal
Devananda Biradar	Dto	CLASS-1JR	7760992402	Koppal
B S Munirame Gouda	AO ADM	CLASS-1JR	7760992403	Koppal
Rajshekar Annigeri	CS&VO	CLASS-2	7760992404	Koppal
Jayshree H Rajole	ASST/ACCOUNT OFFICER	CLASS-2	7760992405	Koppal
R B Mane	ATM	CLASS-2	9972063535	Koppal
K.Jagannath	Aee	CLASS-1	7760992407	Koppal
Prakash R	ASST/LAW OFFICER (I/C)	CLASS-2	7760992408	Koppal
Kari Gouda	LABOUR&WEIFARE OFFICER	CLASS-2	7760992411	Koppal
T M Ayaz	Dws	CLASS-2	7760992412	Koppal
Jagadish	ATS	CLASS-3	9108000462	Koppal
B V Battur	Dm.Koppal	CLASS-2	7760992413	Koppal
Santosh Kumar Shetty	DM KUSTAGI	CLASS-2	7760992414	Koppal
Suresh R Sonnad	DM YALBURGA	CLASS-2	7760992415	Koppal
R B Mane	Dm-Gangavati	CLASS-2	7760992416	Koppal
Smt Pushapalata	Atm	CLASS-2	7760992417	Koppal
Narayan A Goudageri	Dme	CLASS-1	7760992418	Koppal
M Y Poojar	Dsi	CLASS-3	7760992432	Koppal

Mahindraraj	DM-KUKANUR	CLASS-2	8197831224	Koppal
S R Chandrashekar	Divisional Controller	CLASS-1SR	7760992150	Bellary
R Shivu Swami	Engineer	CLASS-1SR	7760992035	Bellary
S S Devarj	D.M.E	CLASS-1JR	7760992151	Bellary
R S Gousuddin	Divisional Traffic Officer	CLASS-1JR	7760992152	Bellary
G Gurushant	Aao[Adm]	CLASS-2	7760992153	Bellary
Sharanappa Walikar	S&VO	CLASS-2	7760992154	Bellary
Pumpan Gouda	A.O[ACCT] (I/C)	CLASS-3	7760992155	Bellary
M R Ramesh	Lwo	CLASS-1JR	7760992156	Bellary
K H Hawaldar	Aee	CLASS-1JR	7760992157	Bellary
MD Sunkad	Aee	CLASS-2	9972039797	Bellary
H B Lingaraju	Alo	CLASS-2	7760992158	Bellary
Baduruddin	Asst Store Officer	CLASS-2	7760992159	Bellary
Istiyak Ahamed	A.S.O[Stat] (I/C)	CLASS-2	7760992160	Bellary
Hanmpan Gouda	JE (ELCT)	CLASS-2	7760992161	Bellary
Mahadev Prasad	Dws	CLASS-2	7760992162	Bellary
P B Mallikarjunayya	D.M /Bly-1	CLASS-2	7760992163	Bellary
Chinnachinchayya	D.M /BLRY-2	CLASS-2	7760992164	Bellary
Satish S	D.M SGP	CLASS-2	7760992165	Bellary
R Gouseuddin	Atm (I/C)	CLASS-2	7760992166	Bellary
	STAND I/C	CLASS-2	7760992167	Bellary
Shreenivas	Dsi	CLASS-3	7760992169	Bellary
P Narayan Swami	PRINCIPAL H.B.HALLI	CLASS-1SR	7760992008	DTI. H.B. Halli
Altaf Hussain	Dme	CLASS-1JR	7760992301	Hospet
Md Faiz	Divisional Controller	CLASS-1SR	7760992300	Hospet
N S Ooty	Dto	CLASS-1JR	7760992302	Hospet
K T Ravi	L&Wo	CLASS-2	7760992306	Hospet
Manjunath D Shetty	ASST STORE OFFICER	CLASS-2	7760992308	Hospet
P H Harti	D.M. Sandoor	CLASS-2	7760992309	Hospet
M V Raghunanada Rao	ASST ENGINEER	CLASS-1JR	7760992313	Hospet
Singari Gouda	D.M.H.B. HALLI	CLASS-2	7760318899	Hospet
Rajendra R. R.M	Ao Adm	CLASS-2	7760992303	Hospet
R.Prakash	Law Officer	CLASS-2	7760992304	Hospet
G Shinyya	Ao/Acc	CLASS-2	7760992305	Hospet
Veerbhadrha Kumbari	S&Vo	CLASS-2	7760992307	Hospet
Pradeep Kumar	D.M.,KUDALIGA	CLASS-2	7760992311	Hospet
Natraj	D.M.HADAGALI	CLASS-2	7760992312	Hospet
Shushila	A.T.M (I/C)	CLASS-2	7760992314	Hospet
Umesh	A.T.M BUS STAND(I/C)	CLASS-2	7760992317	Hospet
Girija Shankar	JE	CLASS-2	7760995808	Hospet
Nagesh Prasanna	D.W.S	CLASS-2	7760992315	Hospet
Manjunath J	STAT OFFICER	CLASS-2	7760992316	Hospet
Maruthi	D.S.I	CLASS-3	7760992318	Hospet
K Basavraj	D.M. Hospet	CLASS-2	7760992310	Hospet
S G Gangadhara	Divisional Controller	CLASS-1SR	7760992250	Vijayapur
G.R.Kulakrni	Asst Store Officer (I/C)	CLASS-2	7760992254	Vijayapur
G.R.Kulakrni	Dws	CLASS-3	7760992255	Vijayapur
Shankreappa K	ASST.EX.ENGINEER	CLASS-2	7760992253	Vijayapur
Narayanappa Kurubur	Law Officer	CLASS-1JR	7760992259	Vijayapur





















## 8. E-ÁSA<sup>a</sup>Ág<sup>Á</sup>°Éu<sup>Á</sup>Áj P<sup>Á</sup>Á

F. Páá, Á, Á, Ái<sup>Á</sup> °Á° MmÁÁÉ 20 ««ZÁ E-ÁSÚMÉÁB °ÉAÇZÁV, F J-Áe E-ÁSÚMÁ v<sup>Á</sup>ÁzÁ DzÁ UÉVÁÁÁ<sup>1</sup>zÁ zÁÁiÉÁzÁ±zÉAÇUÉ PÁB<sup>a</sup>UMÉÁB «<sup>a</sup>Á» Áw<sup>Á</sup>É F CzÁiÁÉz<sup>Á</sup>° E-ÁSA<sup>a</sup>Ág<sup>Á</sup> PÁB<sup>a</sup>UMÁ «t<sup>Á</sup>ÁiÁ vÚzÁPÉÁ<sup>a</sup>Á<sup>a</sup>° CEA<sup>Á</sup> Á<sup>Á</sup> PÁÁiÁÖ«ZÁEA ¥j «ÁPÁUÉ<sup>a</sup>ÁVÁU °Éu<sup>Á</sup>Áj P<sup>Á</sup>ÁEÁB «Áq<sup>Á</sup> ÁVzÉ

### 1. Dq<sup>Á</sup> E-ÁSE -

É<sup>Á</sup>ÁRÁw «ÁiÁU<sup>Á</sup>Á: -

1. <sup>a</sup>ÁÉPÁ ±DU °ÁUKE ÉÁ<sup>a</sup>ÁPÁw ÁiÉÁdÉÉ
2. v<sup>Á</sup>Á<sup>Á</sup>w °ÁUKE <sup>a</sup>ÁÉPÁ Á¥ÉÉÉ<sup>Á</sup> C<sup>Á</sup>ÁÇP ZÁ Á<sup>a</sup>ÁPUMÁ
3. C<sup>Á</sup>ÖUMÁ «<sup>Á</sup>Áj, ÉKEVÉPÁV DAIÁiÁz<sup>Á</sup>Á<sup>Á</sup> «<sup>a</sup>ÁUÉ
4. Á<sup>a</sup>Á<sup>Á</sup>ÁiÁ<sup>Á</sup>° è «zÉÁz<sup>Á</sup>Á<sup>Á</sup> C<sup>Á</sup>Á<sup>Á</sup>v<sup>Á</sup> UÉ GzÉÁUÁ «Áq<sup>Á</sup>ÁzÁ.
5. C<sup>Á</sup>ÁPÁUÉ CEÁUÁ<sup>a</sup>ÁV DVÁZÁUÉ 1ŠAÇ <sup>a</sup>ÁAdÁgÁw DzÁ±UMÉÁB 1ŠAÇ ÉÁ<sup>a</sup>ÁPÁwUÁV °Ég<sup>Á</sup>Á<sup>a</sup>ÁzÁ.

### 2. 1ŠAÇ «ÁiÁU<sup>Á</sup>Á: -

1. P<sup>Á</sup>Á «<sup>a</sup>Á» Á<sup>a</sup>Á CÇPÁj UMÁ °ÁUKE <sup>a</sup>ÁÁ°ZÁgPÁ 1ŠAÇUMÁ Á<sup>a</sup>Á ZÁR-UMÁ °ÁUKE SÁ° EgÁ<sup>a</sup>Á F °ÁzUMÁ <sup>a</sup>ÁÁ»wUMÉÁB ÉÁ<sup>Á</sup>Á «UMÁ KOÁPÁVÁZÁVÉ «<sup>a</sup>Á» Á<sup>a</sup>ÁzÁ. 3 <sup>a</sup>ÁVÁU 4ÉÁ zle<sup>Á</sup> ÉÉPÁÁj PÁj VÁVÉ DAIÁÁ «UPÁ<sup>a</sup>ÁgÁ «<sup>a</sup>Á°UÉ <sup>a</sup>ÁÁq<sup>Á</sup>ÁzÁ.
2. g<sup>Á</sup>É<sup>a</sup>ÁAdÉgÁw, g<sup>Á</sup>ÉÉ U<sup>Á</sup>ÇÁPÁÁt UÁÁ, <sup>a</sup>ÁÁ<sup>Á</sup>ÖPÁ <sup>a</sup>ÁVÉÁ SrUMÁ, Á<sup>a</sup>ÁVÁ <sup>a</sup>ÁÉVUMÁ.
3. CÇPÁj UMÉÁB 1ŠAÇ <sup>a</sup>ÁU<sup>Á</sup>z<sup>Á</sup>ÁEÁB «ÁiÉÁdÉÉ <sup>a</sup>ÁÁgUÉ Ev<sup>Á</sup>É E-ÁSÚM<sup>Á</sup>UÉ PÁÁ» Á<sup>a</sup>ÁzÁ.
4. Á, ÁiÁ<sup>Á</sup>° è PÁB<sup>a</sup>ÁzÁ <sup>a</sup>ÁÁ°ZÁUÁ CxPÁ PÁB<sup>a</sup>Á «<sup>a</sup>Á°UÉ-ÁAZÁV CAU<sup>Á</sup>ÇPÁvUÉAq<sup>Á</sup>Áj UÉ Sz<sup>Á</sup> °Áz<sup>Á</sup> «Áq<sup>Á</sup>ÁzÁ.
5. PÁAZÁPÁj, DAIÁÁ «ÁUUMÁ / ÁiÁÁ«nUMÁ<sup>Á</sup> è <sup>a</sup>ÁÁ°ZÁgPÁvÁ zle<sup>Á</sup> 3 <sup>a</sup>ÁVÁU 4 gÁ ÉÉPÁÁEÁB, °ÁzÁiÁ<sup>Á</sup>° è SÁÁiÁAUÉ½ Á<sup>a</sup>ÁzÁ.
6. GÉMÁ <sup>a</sup>ÁÁÁUÁ «ZÁ±Á ¥ÁÁ, Á °ÁUKE ÁVÁ <sup>a</sup>Á»<sup>a</sup>ÁnÉÁ ÁiÉÁdÉUMÁ <sup>a</sup>ÁÁgUÉ °ÉÁUR <sup>a</sup>ÁÁ<sup>Á</sup>Áj UÉ DPÁ¥LÁ gÁ vÁ ¥ÁÁÁt ¥ÁÁÁ(JEiN<sup>1</sup>) UMÉÁB «Áq<sup>Á</sup>ÁzÁ.
7. «ÁUPÁgÁ 1ŠAÇÁiÁ <sup>a</sup>ÁÁ<sup>Á</sup>ÁUMÁ °ÁUKE Ev<sup>Á</sup>É <sup>a</sup>ÁÁ<sup>Á</sup>ÁUMÁ GÁÁj.
8. 1961 gÁ C¥ÁÁ<sup>2</sup>¥i PÁÁiÁVÁÁrÁiÁ<sup>Á</sup>° ««ZÁ <sup>a</sup>ÁU<sup>Á</sup>UÉ CÁyÖUMÉÁB DAIÁÁ <sup>a</sup>ÁÁr v<sup>Á</sup>Á<sup>Á</sup>w «Áq<sup>Á</sup>ÁzÁ.







g) SgAdAZAgj Ue ° AUKE ,A ,UaiA 1SACUE °AQa APAVga a aAVEA "MA aAVAU Evge DyöPA  
 ,E° "UUEAB YA aW ,A a PA PEUEVAVZE PAg.gA ,A ,A ,U-AAZA "AYDI AO F.PAgA ,A ,A ,U  
 DgA "PAZAVAZA EEPhgA "kpa °Cu aAWPE ,AZAiA EvxöZl "PMAUEAB PAg.gA ,A ,A ,U  
 ,A ,UaiA "kpa °Cu EA ,A aAAq/AiA °AiA C/P I "PEVAVgAVZE DZge F.PAgA ,A ,A ,U  
 DgA "PAV UA°SUADZP e PAAZePbAj AiA C1VPE SAZA EAVGA F YA PA F.PAgA ,A ,A ,U  
 ,A ,UaiA °UPACZA EA APAw °KEACga a EEPhgA "kpa °CAiA aAWPAiA aEVU aIAvæ  
 YAZA2PA "kpa °Cu DAIAPPA PbAj , UA°SUADZP e ,AZA-A ,AVAU SACZAY , CEAPA :  
 28.03.2008 gAZA F EEPhgA "kpa °Cu aAWPE ,AZAiA aEAB °AUKE aAACEA "PAZAgA  
 °aD°UaiAEAB ,PA PAg.gA ,A ,A ,U "AUMej EA "kpa °Cu EA ,A aAAq/AiA °e  
 «°AEUVE½ ,PA CEaAw1ze FUUA "AZA-A1za MI AO aEVPEAB YAZA2PA "kpa °Cu  
 DAIAPPA , UA°SUADgPbAj PbAj -AZA PAg.gA ,A ,A ,U "kpa °Cu EA ,A aAAq/AiA  
 aUAÖ-A ,A a PAiA °YEUVaiA °ze EZAZA EAVGA aAACEA "PAZAgA EvxöUMA  
 PAg.gA ,A ,A ,U "kpa °Cu EA ,A aAE°PFA °aD» , AUAVZE

#### 4. DAVjPA PAVjAEAZAE:

F E-ASAIa aARa ,lgAV GYA aARa "PACPai AEUKA (D.°YE) gPbA PAiAÖ  
 °aD» ,AVAGE °UPAZA DAVjPA "Pi YMA Yj ±KEAZEAiEAB , EA ,G ,APAj AiA °e  
 EbAiAVZE EzgP e U½ ,A a DZAIa , °aD» ,A a AZI nPAI AUMA "Pi YA ,AUMA "Pi aA  
 ©-IUMA , ,A ,UaiA gAdiza MVAEA °AUKE °KEgA gAdiza Evge aAAUqA PA-Aj ,A a nPami  
 PEAI AUMA aAAUqA nPami aIAGAI za "Pi aAAVZA ZAR-UMeAB Yj ±KEAZEE aIAqAVAGE  
 f - 1 aAVAU f - 2 YhUMEAB ,PA Yj 2A° ,AVAGE °UPAZA 1SACUE °AQa a aAVEA "MA,  
 gte EUKAPgt "MA , Evge DyöPA ,E° "za SUE °AUKE ©AUMA aEVZA SUE °AQa a  
 aAAUqUP SUE °AUKE ,AAZPöPA MFAZAZA aA°EUMA ©AUMA °AUKE Evge ©AUMA,  
 "AAQEA YhUMA , GUATEZa ZAR-UMA aIA1PA °AUKE aA°öPA DyöPA ,AYEKEPUMA °AUKE  
 °KP1EA S/P 1SACAIa ,A a ZAR-AwUMA , PA AUaj RZiUMA ZAR-UPA aGA  
 EA APUEVA PA 1SACAIa »A °AQ aEVZA ZAR-UMA EA UMEAB Yj 2A° ,AVAGE

#### 5. AZAgAE-ASE

F E-ASAIa PAiAÖZglue «AUZA aARa ,lgAV aARa ,AZAgA aPA AUyPbPbA  
 PAiAÖ°aD» ,AVAGE ,AZAgA E-ASUE ,ASACUZa Zi AhPUKA , ,A ,UaiA aARa  
 PAiAÖ "AgUMAZa ,j Ue EP AE EUMA , EA ,GUMA aARa °KEUaj PAiAVgAVZE dEA AZA  
 EgA a UUMEAB UAgaw1 PAiAÖZglue aIAqA aIza , F E-ASAIa Dza PMA PAVgAVZE  
 °AiAVPA °PAV CEa ,KEAUMEAB PAiAÖZj ,A aIz°ze eAVæ «±µUMA e °ZAPj  
 PAiAÖZge aIAqA aIzgeACUE ,AAZPöPA MFAZAZA aAVAU ZAEa aUE aAAVZA ,PAiAUMA e  
 °EA PAiAÖZglue PEUEVAIa Iza , F E-ASAIa aARa PAiAÖUMA PPAqAw aE















1. «zÁyð jAñÁ-Áw S,i ¥Á,i: » <sup>»ñÁÉÁvé ¥ÁqÉZÁ ±ÉPÁÉt RÁ ÁA ÉUÁVÁ° è »ÁÁ, ÁAUA »ñÁqÁÁwQÁÁ»</sup>  
«zÁyðUÁV½UÉ CªÁqÁ »Á,Á ÑÁÁÇAZÁ ±ÉPÁÉt RÁ ÁA ÉUÉ 60 QÁ«ÁÁ »ÁgÉUÉ «zÁyð jAñÁ-Áw S,i  
¥Á,ÁUÁVÁÉÁÁB «vÁj,ÁªÁ PÁÁÁ PÉÉUÉ/ÉVÁVÁ ÁUÁÁwÉÉ. ¥ÁÁ«Á«ÁPÁ ±Á-Á «zÁyðUÁV½UÉ GavÁ °ÁUÁE ¥ÉqÁ±Á-Á  
«zÁyðªÁñÁj UÉ S,i ¥Á,i zÁgÁZÁ° è ±Á.25 gÁµÁÁO jAñÁ-Áw zÁgÁZÁ° è S,i ¥Á,ÁUÁVÁÉÁÁB  
ªÁqÁ ÁUÁÁwÉÉ. ¥ÁÁÁUÁ «zÁyðUÁV½UÉ «vÁj,ÁÁwQÁÁ» S,i ¥Á,i UÁVÁ zÁgÁUÁVÁ «ªÁgÁUÁVÁÉÁÁB ÇÉÁÁÇAZÁ-3  
qÁÁVÉ ©UÁWÜ ZÉ.

«zÁyð jAñÁ-Áw S,i ¥Á,i ¥ÁqÉÁñÁªÁ,Á° è Á-ÉÁPÁZÁ ZÁR-ÁwUÁVÁÁ.

1. Áj AñÁV Áwð »ñÁr ¥ÁÁ+Á¥ÁªÁj AzÁ zÉrÁPÁj 1zÁ ÇFð.
2. ±Á-Á/PÁ-ÉÁFÉÁ° è ¥ÁÁÉÁ±Á ¥ÁqÉZÁ SÜB ±ÁªÁ¥ÁÁw gÁ²ÁÇ. (ªÁÁE° °ÁUÁE gÁhÁgÁPÁi ¥ÁÁw)
3. »ÁÁÉÉ «¥Á,ÁPÁ ÁÁÇÁÇw zÁÁVÉ PÁÁI ÁÁÇ ¥ÁrVÁgÁ aÁn/ zÁÉqÁªÁÁªÁÁ,Á ÑÁÁ ¥ÁÁñÁÁt  
¥ÁVÁªÁÁVÁzÁgÁqÁ UÁÁgÁÁwÉÁ aÁn ÇxÁªÁ UÁÁÁ -ÉPÁÇPÁj UÁV½AZÁ ¥ÁqÉZÁ ¥ÁÁñÁÁt ¥ÁVÁÁE
4. EwÁÁÉÁ 3 SÁÉÁ ÁªÁÁVÁUÁVÁÁ (ÁÁÁ¥Á ÇVÁVÉ).

2. «PÁªZÉÁVÁÉÁqÁ jAñÁ-Áw S,i ¥Á,i: » <sup>»PÁªqÁzÁ ªZÉÁªÁÉÁZÁÁVÉ CAUA«PÁªqÁ jAñÁ-Áw S,i</sup>  
<sup>ÁÁÇÉÁUÉ AñÁªÁÁZÉÁ UÁj µª «ÁwÁñÁÉÁÁB ÁEÁÁZÉÁ S,i ¥Á,i PÉÁÁj ÇFð,Á° è ÁªÁ J-ÁÉ CAUA«PÁª</sup>  
<sup>¥Á-ÁÉÁÁ Á«UÁV½UÁE S,i ¥Á,i «vÁj,Á-ÁUÁÁwÉÉ. ÁzÁj jAñÁ-ÁwÁñÁÉÁÁB ±ÉÁ.40 gÁµÁÁO ZÉÉ»PÁ</sup>  
<sup>CAUA«PÁªVÉÁñÁÁVÁ «PÁªZÉÁVÁÉÁj UÉ jAñÁ-Áw S,i ¥Á,ÁUÁVÁÉÁÁB ÁA ÁÁÁÁ »Áw-ÁAZÁ-ÉÁ ÉÉÁqÁÁV</sup>  
<sup>«vÁj,Á-ÁUÁÁwÉÉ. ÁzÁj ¥Á,ÁUÁVÁÉÁÁB ¥ÁqÉZÁ «PÁªZÉÁVÁÉÁqÁ vªÁÁª »Á,Á ÑÁÁÇAZÁ 100 Q.«ÁÁ ¥Áj ÇÁÁÁ° è</sup>  
<sup>¥ÁÁñÁÁtªÁªÁ CªÁPÁ±Á PÁ° qÁ-ÁVgÁÁVÁZÉ. ¥ÁÁÁUÁ «PÁªZÉÁVÁÉÁqÁ jAñÁ-Áw S,i ¥Á,i zÁgÁ gÁE.660.00</sup>  
<sup>EgÁÁVÁZÉ.</sup>

»ÉZÁÁQÁÁñÁ ¥ÁÁñÁÁt ¥ÁVÁE¥ÁqÉÁñÁªÁ ¥ÁÇPÁÁgÁUÁVÁ «ªÁqÁ F PÉVÁVÉÁWÁÉ.

- a) ¥ÁÁ«Á«ÁPÁ DgÉÉÁUÁÁ PÉÁAZÁZÁ DqÁV½VÁ »ÉZÁÁÇPÁj UÁVÁÉÉÉBUEÉÁqÁ KPA,ÁzÁ,ÁÁ.
- b) vÁªÉPÁÁ D,ÁVÉÁDqÁV½VÁ »ÉZÁÁÇPÁj UÁVÁÁ, ÁÁÇAZÁ¥ÁI ÖVÁDgÁÁ °ÁUÁE ; íFÁÁÁÁÉi gÁÉÉÉBÁUÉÉÁqÁ SªÁ,ÁzÁ,ÁÁ.
- c) F-ÁÉ D,ÁVÉÁñÁ ÇÇPÁÁqÁ, »ÉZÁÁQÁÁñÁ »ñÁª«zÁªªÁ D,ÁVÉÁªÁÁRÁ,ÁñÁÁ, ÁÁ-ÁAZÁ¥ÁI Ö VÁDgÁÁ °ÁUÁE  
; íFÁÁÁÁÉi gÁÉÉÉBÁUÉÉÁqÁ SªÁ,ÁzÁ,ÁÁ °ÁUÁE ÉÁUÁVÁÉgÁÁ »ÉZÁÁQÁÁñÁ ¥ÁÇPÁÁgÁ.  
»ÉÁªÁqÁ AñÁªÁÁZÁZÁgÁÁ MázÁÁ ¥ÁÇPÁj UÁV½AZÁ UÁÁgÁÁw,ÁªÁ Ö «PÁªZÉÁVÁÉÁj UÉ F-ÁÉ CAUA«PÁªqÁ  
PÁ-ÁÁUÁÇPÁj AñÁ,Á» °ÁUÁE »ÉÉªj ÉÉÉqÁÉÉ E-ÁÉ-ÁAZÁ («PÁªZÉÁVÁÉÁqÁ °ÁUÁE »j AñÁ ÉÁUÁj ÁPÁqÁ ÁSªÁPÁqÁt  
E-ÁÉ) MzÁV,ÁÁwQÁÁªÁ «PÁªZÉÁVÁÉÁqÁ UÁÁgÁÁwÉÁ aÁñÁñÁÉÁÁB °ÁDgÁÁ¥Ár 1zÁ °ÁUÁE CAUA«PÁªªÁQÁVÁ ÇÇPÁÁñÁ-  
1995 PÁª 2(L) gÁ° è 7 ««zÁ CAUA«PÁªVÉ ÇAZÁgÉ 1)ÇAZÁVÉ 2)ªÁÁZÁZÁÉFÜ 3)PÁÁµÁgÉÉÁUÁ ªªÁj VÁgÁZÁ 4)  
±ÁÁtZÉÉÁµªªÁÁqÁ 5) ZÁÉPÁªÉÁ CAUA«PÁªVÉ 6) SÁÇPÁñÁAZÁVÉ 7) »ñÁÉÁ¹PÁ Ç,ÁÉVÉ EgÁªªÁj UÉ CAUA«PÁª  
ÇÇPÁÁñÁ ÇÉÁ,ÁqÁ ±ÉÁ.40 »ÁVÁU ÇzÁQÁVÁ »ÉZÁÁ ¥ÁÁñÁÁtZÁ CAUA«PÁªVÉ »ÉÁÇqÁªÁªÁ »ÉÁªÁqÁ J-ÁÉ 7 «zÁZÁ  
«PÁªZÉÁVÁÉÁj UÉ »ñÁÁVÁE ÁA,ÁÁÁÁ »Áw-ÁAZÁ ¥Áj ZÁªÉÁÁÁ VÁgÁªÁÁÁÁ ÉÉÁqÁÁV jAñÁ-Áw S,i ¥Á,i ÉÁÁB  
«vÁj,Á-ÁUÁÁñÁZÁÁ.

3. CAZÁqÁ GavÁ S,i ¥Á,i: » <sup>¥ÁEÁtð ¥ÁÁñÁÁtZÁ ÇAZÁj UÉ gÁDzÁZÁVÁ ÁA,ÁÁÁÁ,ÁªÁñÁÁ/»ÉÁUÁZÁVÁ</sup>  
<sup>Áj UÉUÁVÁ° è GavÁÁV ¥ÁÁñÁÁtªÁªÁ S,i ¥Á,i UÁVÁÉÁÁB «vÁj,Á-ÁUÁÁwÉÉ.</sup>

ÁzÁj GavÁ ¥Á,i UÁVÁÉÁÁB ¥ÁqÉÁñÁªÁ CªÁª ¥Á-ÁÉÁÁ Á«UÁVÁÁ F PÉVÁPÁÁqÁ AñÁªÁÁZÁZÁgÁÁ MázÁÁ  
¥ÁÇPÁj UÁV½AZÁ UÁÁgÁÁw,Á¥ÁI Ö «PÁªZÉÁVÁÉÁj UÉ F-ÁÉ CAUA«PÁªqÁ PÁ-ÁÁUÁÇPÁj UÁVÁ,Á» °ÁUÁE  
»ÉÉªj ÉÉÉÁqÁÉÉ E-ÁÉ-ÁAZÁ («PÁªZÉÁVÁÉÁqÁ °ÁUÁE »j AñÁ ÉÁUÁj PÁqÁ ÁSªÁPÁqÁt E-ÁÉ)  
MzÁV,ÁÁwQÁÁªÁ «PÁªZÉÁVÁÉÁqÁ UÁÁgÁÁwÉÁ aÁñÁñÁÉÁÁB °ÁDgÁÁ¥Ár 1 S,i ¥Á,ÁUÁVÁÉÁÁB  
¥ÁqÉÁñÁ SªÁZÁVgÁÁVÁZÉ. »ÉZÁÁQÁÁñÁ ¥ÁÁñÁÁt ¥ÁVÁE¥ÁqÉÁñÁªÁ ¥ÁÇPÁÁgÁUÁVÁ «ªÁqÁ F PÉVÁVÉÁWÁÉ.

- a) ¥ÁÁ«Á«ÁPÁ DgÉÉÁUÁÁ PÉÁAZÁZÁ DqÁV½VÁ »ÉZÁÁÇPÁj UÁVÁÉÉÉBUEÉÁqÁ KPA,ÁzÁ,ÁÁ.
- b) vÁªÉPÁÁ D,ÁVÉÁDqÁV½VÁ »ÉZÁÁÇPÁj UÁVÁÁ, ÁÁÇAZÁ¥ÁI ÖVÁDgÁÁ °ÁUÁE  
; íFÁÁÁÁÉi gÁÉÉÉBÁUÉÉÁqÁ SªÁ,ÁzÁ,ÁÁ.
- c) F-ÁÉ D,ÁVÉÁñÁ ÇÇPÁÁqÁ, »ÉZÁÁQÁÁñÁ »ñÁªªÁªªÁ D,ÁVÉÁªÁÁRÁ,ÁñÁÁ, ÁÁ-ÁAZÁ¥ÁI Ö  
VÁDgÁÁ °ÁUÁE ; íFÁÁÁÁÉi gÁÉÉÉBÁUÉÉÁqÁ SªÁ,ÁzÁ,ÁÁ °ÁUÁE ÉÁUÁVÁÉgÁÁ »ÉZÁÁQÁÁñÁ  
¥ÁÇPÁÁgÁ.





**CEAŞAZA-1**

oAAV<sup>a</sup>AqAA a<sup>ni</sup>A<sup>1</sup>PA S. i YA AAUAVA zAqAUVA «<sup>a</sup>AqA

Chargeable stage	Revised rates
1	` 340-00
2	` 540-00
3	` 770-00
4	` 930-00
5	` 970-00
6	` 1090-00
7	` 1210-00
8	` 1370-00
9	` 1520-00
10	` 1620-00
11	` 1700-00
12	` 1740-00
13	` 1770-00
14	` 1800-00
15	` 1840-00
16	` 1870-00
17	` 1890-00
18	` 1900-00
19	` 1920-00
20	` 1930-00
21	` 1950-00
22	` 1960-00
23	` 1970-00

**CEAŞAZA-2**

zEE<sup>a</sup>PA YA AAUAVA a<sup>ni</sup>AUA<sup>o</sup>UVA aAAVAAU DPaj AAwqAA<sup>a</sup>A zAqAUVA «<sup>a</sup>AqA

Plec. AA.	a <sup>ni</sup> AUA <sup>o</sup>		DPaj AAwqAA <sup>a</sup> A zAqA (gAE. UA/A °)
	jAZA	a <sup>ni</sup> EUÉ	
1	UAA®SUÁO	AAqA <sup>ni</sup> AAqA	110.00
2	UAA®SUÁO	±Á <sup>o</sup> AAqA	100.00
3	UAA®SUÁO	eÁ <sup>a</sup> AVO	55.00
4	UAA®SUÁO	ÉqAA	90.00
5	UAA®SUÁO	±Á <sup>o</sup> Á AZA	45.00
6	UAA®SUÁO	©AZAqA	195.00
7	UAA®SUÁO	oAA <sup>a</sup> AAEÁ AZA	100.00
8	UAA®SUÁO	DAAAZA	70.00
9	«eÁ <sup>a</sup> AAqA	d <sup>a</sup> AAARar	95.00
10	«eÁ <sup>a</sup> AAqA	^AZAV	95.00
11	«eÁ <sup>a</sup> AAqA	CxA EA	125.00
12	«eÁ <sup>a</sup> AAqA	zEA <sup>a</sup> qA »AAqAV	65.00
13	«eÁ <sup>a</sup> AAqA	oqAAUAAQ	105.00
14	©AZAqA	oAA <sup>a</sup> AAEÁ AZA	90.00
15	PEZEYAA	UAUAÁ <sup>a</sup> AW	80.00

16	PEEYWA	UAZUA	95.00
17	PEEYWA	PAQA	75.00
18	PAQA	EPA i	60.00
19	1AZAEAgA	gAAAZAEgAA	145.00
20	1AZAEAgA	S%Aj	150.00
21	1AZAEAgA	UAUA <sup>a</sup> w	75.00
22	1AZAEAgA	°AU <sub>3</sub> AEgAA	85.00
23	gAAAZAEgAA	°AU <sub>3</sub> AEgAA	160.00
24	°E <sub>3</sub> AEi	PA <sub>1</sub> e	50.00
25	°E <sub>3</sub> AEi	UAUA <sup>a</sup> w	65.00
26	°E <sub>3</sub> AEi	PEEYWA	60.00
27	°E <sub>3</sub> AEi	vEAgA <sup>a</sup> UA i	50.00
28	°E <sub>3</sub> AEi	S%Aj	100.00
29	S%Aj	vEAgA <sup>a</sup> UA i	50.00
30	PAQA	°E <sub>3</sub> AEi	70.00
31	°E <sub>3</sub> AEi	°Ezi . ©, °w	60.00
32	°eAAAgA zEPI YA <sub>3</sub> i		25.00
33	UA <sup>a</sup> SUAO zEPI YA <sub>3</sub> i		20.00
34	°AZAgA zEPI YA <sub>3</sub> i		20.00
35	°E <sub>3</sub> AEi zEPI YA <sub>3</sub> i		15.00
36	S%Aj zEPI YA <sub>3</sub> i		20.00
37	AAAZAVAgA zEPI YA <sub>3</sub> i		15.00
38	PEEYWA zEPI YA <sub>3</sub> i		15.00
39	AgAA zEPI YA <sub>3</sub> i		15.00

CEASAZA-3

«zA zAEoAA «zAyö jAA -Aw S<sub>3</sub>i YA<sub>3</sub>AAVA «AgA

( UVA°)

PAE AA.	YA <sub>3</sub> AAVA «AgA	UAQVA C <sup>a</sup> Qü	°A° zAgA
	7 EE <sub>3</sub> vAgUAwAA <sup>a</sup> AgEVEA «zAyöUA <sup>1</sup> UE	10 wUA <sup>1</sup> UE	Gavl
	°E <sub>3</sub> MEi «zAyöUA <sup>1</sup> UE	10 wUA <sup>1</sup> UE	600
		5 wUA <sup>1</sup> UE	300
	°E <sub>3</sub> MEi «zAyö <sup>a</sup> AAj UE	10 wUA <sup>1</sup> UE	400
		5 wUA <sup>1</sup> UE	200
	PA <sup>a</sup> EAdA&rYEeAA «zAyöUA <sup>1</sup> UE	10 wUA <sup>1</sup> UE	900
		5 wUA <sup>1</sup> UE	450
	L.n.L «zAyöUA <sup>1</sup> UE	12 wUA <sup>1</sup> UE	1150
		6 wUA <sup>1</sup> UE	575
	°AEwAgA PEEA <sub>3</sub> AOVAZA °EzAOAA/EA F <sup>a</sup> AAj AU <sup>1</sup> i, EvAgE «zAyöUA <sup>1</sup> UE.	10 wUA <sup>1</sup> UE	1400
		5 wUA <sup>1</sup> UE	700
	AAE PA <sup>a</sup> EAdA/ i . °Ezi . r. «zAyöUA <sup>1</sup> UE.	10 wUA <sup>1</sup> UE.	1200

CEAASA-4

NEKRTC-AWATAR COUNTERS

Sl. No.	Division	Place	Adress	Tel.No
1	Gulbarga	CBS Gulbarga	Central Bus stand Gulbarga	08472-221933
2	Bidar	CBS Bidar	Central Bus stand Bidar	08482-228502
3	Bidar	CBS Humanabad	Central Bus stand Humanabad	08483-270034
4	Raichur	CBS Raichur	Central Bus stand Raichur	08532-226381
5	Raichur	CBS Sindanur	Central Bus stand Sindanur	08535-220326
6	Raichur	CBS Lingsugur	Central Bus stand Lingsugur	08537-257230
7	Bellary	CBS Bellary	Central Bus stand Bellary	08392-274583
8	Hosapet	CBS Hospet	Central Bus stand Hosapet	08394-228802
9	Koppal	CBS Koppal	Central Bus stand Koppal	08539-230477
10	Koppal	CBS Gangavti	Central Bus stand Gangavati	08533-270733
11	Bijapur	CBS Bijapur	Central Bus stand Bijapur	08532-251344
12	Yadagir	CBS Yadagir	Central Bus stand Yadagir	9980779313
13	Gulbarga-I	Divisional Office	Rastrapati Circle, Gulbarga	08472-255789

NEKRTC-INTER STATEAWATAR

14	Raichur	CBS Mantralayam	APSRTC Central Bus stand Mantralayam	08512-279444
15	Bidar	CBS Hyderabad	APSRTC Central Bus stand Hyderabad	040-24856930 /9490956788

CEAASA-6

AAZADPA NYAAZAZA AEA-E AQAa a ANEUAVA ZQUAVA <AQUAVA

a AEA a AZaj	C AEUAVA ASEa	AYAV Q. <AA ZAgA	CEAPEI PAμAO YAAVA t zA Q. <AA.	CEAZA PAμAO a E/VAO (24 UAA. C A C UE)	UAAmEUVA DzAgAZA AEA-E (UAAmEU E PAμAO 40 Q. <AA)
UAzAAAvAgA *	61/51	30/-	300	9000/-	1200/-
F ±AEA PAEAOI PA AJ UE	56/51	34/-	300	10200/-	1360/-
F ±AEA AJ UE (12 <AA. ZA <sup>1</sup> )	65	40/-	300	12000/-	1600/-
gAd <sup>o</sup> AA - JOPAEan <sup>a</sup> i	39/36	42/-	350	14700/-	1680/-
gAd <sup>o</sup> AA - E <A <sup>1</sup> AYAgI	31	43/-	350	15050/-	1720/-
gAd <sup>o</sup> AA (12 <AA. ZA <sup>1</sup> )	44	49/-	350	17150/-	1960/-
AA <sup>o</sup> AA	44	49/-	350	17150/-	1960/-
<sup>1</sup> AYAgI EAET J. <sup>1</sup> .	32	56/-	500	28000/-	2240/-
<sup>1</sup> AYAgI J. <sup>1</sup> .	32	78/-	500	39000/-	3120/-

\* »ACEA a AZaj AA PEAYAA S. AUAA.











6. AIIÁAWPÁE-ÁSE -

AIIÁAWPÁE-ÁSAIÁ a°EUMÁ GVÉB °ÁUME x°D°LÉ JAZÁ JgqÁ GYÁ «'ÁUUMÁP è PÁAIÁÖx°D°LÉ aIÁqÁwÁVÁZÉ F GYÁ «'ÁUUMÁUÉ aÁARÁ AIIÁAWPÁE 2°Á (GVÉB) E°gÁ aÁARÁ, gÁVgÁVÁGÉ F E-ÁSUÉ ,ASAÇU'ZÁ °FEUÁJ PUMÉAB E°gÁUUMÁ x°D» ,ÁVÁGÉ

FPgÁ Á ,A ,ÁIÁ°è F E-ÁSAIÁ ¥ÁVÁI ¥ÁÁAR°ÁVgÁVÁZÉ ««ZÁ aUBZÁ ¥ÁÁIÁtPÁ CUMPIEÁUÁt°ÁV ««ZÁ aIÁZJ AiÁ S ,ÁUMÉAB PÁAIÁÖZgLUÉ MZM ,Á°ÁZÁ, F E-ÁSAIÁ S°Á aÁARÁ PÁD°PÁVgÁVÁZÉ F E-ÁSAIÁ ¥ÁÁVÁ ,Á°ÁEÁ aÁUZIEVÁ EUgÁ ,ÁJ UÁIÁ, UÁÁÁt ,ÁJ UÉ ,Á-r°Pii, C-Á-r°Pii, gÁD°Á,Á ,ÁÁ 1¥gí, °PÁxÁIÁAWPÁ °ÁUME «± UÁt°ÁI ÁZÁ LgÁ°Á S ,ÁUMÉAB ¥ÁEGÉ ,ÁWÁZÉ

1. E°gÁ AIIÁZVgi ¥ÁZÁ²PA PÁAIÁÖUÁgUMÁ GvÁZPMÉ aÁÁ°Á ,ÁPÁJ AiÁEÁB a»¹ZÁGÉ
2. S ,ÁUMÁ PÁEYÁI«PÉ S ,ÁUMÁ PÁZÁ x°AIÁÖt °ÁUME E°PÉ ,ASAÇU'ZÁ mÁqgi ¥ÁÁIÁIÁEÁB x°D» ,ÁVÁGÉ
3. «'ÁUUMÁUÉ °FE ,Á S ,ÁUMÁ x°AIÁEÁdÉÉ
4. S ,ÁUMÁ «EÁÁ,Á C°ÁUMÁ UÁt°ÁI Ø S ,ÁUMÁ aÁgÁ EkÁPÁt °ÁUME ¥ÁZÁ²PA PÁAIÁÖUÁgUMÁP è ZÍEQÜ aÁI ÁZÁ S ,ÁUMÁ x°D°É aÁAAVÁZPÁUMÁ.
5. a°EUMÁ EkÁPÁt, 'ÁJ PÁZÁ ZÁgÁÜ aÁAAVÁZÁ PÉ°UMÉAB ¥ÁZÁ²PA PÁAIÁÖUÁgÁZÁ x°D» ,Á°ÁZÁ.

8. CAQ CA±ÁE-ÁSE -

aÁARÁ AIÁEÁdÉÁ aÁVÁÜ ,ASÁÇPÁJ UÁÁ F E-ÁSAIÁ aÁARÁ, gÁVgÁVÁGÉ E°gÁ d°Á'ÁJ UÁÁ aÁVÁÜ G ,ÁPÁJ AiÁÁ F PÁPAqÁWÁVÁZÉ

1. E-ÁSAIÁÁ ZPMÉ-ÁAZÁ x°D» ,Á°ÁZÁ.
2. ««ZÁ jÁWÁIÁ CAQ CA±Á aIÁ»WUMÉAB ,ÁU»¹ ¥ÁÁKÁPA °ÁVZÁ aÁVÁÜ EÁVgÁ 1ZÍR ,Á°Á CAQ CA±UMÉAB ,ÁPÁV x°RgÁAIÁEÁÇUÉ ,PÁAIÁPÉ ,J AiÁÁV 1ZÍR ,Á°ÁZÁ. E°ÁUMÁP è °FEgVÉÁ °ÁUME DAVJ PÁ PÁAIÁÖZgLUÉ ¥J 1WÁIÁ CAQ CA±UMÁ aIÁ»w-ÁAZÁ x°UPÁZÁ C°PÁÇUÉ ¥ÁEGPÁÁUÁ°ÁVÉ aÁAR ,Á°ÁZÁ.
3. x°UPÁZÁ E-ÁSÁUMÁ ¥gÁgÁ aIÁ»WUMÁ «x°ÁIÁZÍEÁÇUÉ x°UPÁZÁ Dq½vPÁ ZÁgÁPÁUÁEÁqÁ VÉB UÁJ ,ÁÇÜ ,Á°ÁVÁUPÁ PÁÁ.
4. ¥ÁÁÁRÁVÁIÁ ZÍEÁÇEÁ PÁAIÁÖZgLUÉ ZI Á°ÁHPÁIÁEÁB x°AIÁVPA°PÉ ¥gÁ°Á±D EÁÉ aÁAAÇEÁ AIÁEÁdÉÉ 1ZÍR ,Á°ÁZÁ.
5. ,ÁZÁgÁ DyöPÁ GvÁZPMÉ x°D°LÉ °ÁUME EvgÉ «ZÁgUMÁUÉ ,ASAÇU'ZÁ CAQ CA±UMÉAB GEMÁ aÁI ÁZÁ Dq½vPÉ ,P°PÉ PÁEGÁUMÉAB x°ÁUPÁ ,P°PÁ ,Á°ÁZÁ.
6. «°Á±ÁÖVPÁ aÁgÁUMÉAB Dq½VÁ aUBPÉ ,P°PÉ DZÁAIÁ °ZÍÁ RZÁÖ PÁ°ÁUÁE½ ,Á«PÉ GvÁZPMÉ UÁJ ,ÁZÉÉ x°D°LÉ CUMPAZÁ ,P°UMÉAB x°ÁqÁ°ÁZÁ, 'ÉWPA

avau Dyopa adole o meq azl saqr avaa eal aavazl « aguzal upazl  
uat ai Dyopa, s v f, aa aeae aza avaght zp e aavazl aeae a, auua  
o aue v meq, avga o it zl, p adpa s p e

7. « au azl cao ca±l ccpaj uua, p aipa cao ca±l ccpaj uue f  
«zagupa paj vavé, p e

C. Dzaiia ozla avau rzad p r a ue 1/2, aa paj va cao ca±l uua yga ad  
eqe p mu wau ue aa v ze daiia « au uzal agk aqa azl.

D. ydar «zagupa paj vavé, kape

E. f « au azl mazl w p p e, asac u zavé paia adzlué adole dzaiia,  
rzad, aa uat ai azl sue ae ga wau ue aa agk ai ae ab » j ai ccpaj uua up ae p e  
aar, aa azl.

8. up azl opa ga p eg muua aia waiia yhaiae ab 1 z p 1 gem a ai azl  
ccpaj uua up ae p e vga azl.

9. z eae cao ca±l adole ai ae ab aia q pa p azl p aj ai o e eg a cao ca±l  
e as a 1 sac ai aa e ag pav e ga crai o e p e, a ad » awz ag e

10. e as ia, a y e t o gz ± l f q aj, a azl.

9. aaq 1/2 paia adz ad e as e :

f e as e aara, ag av aaq 1/2 paia adz ad uua paia ad « ad a » av ag e. e ag paia ad  
aa, ia aa e ag pav aa, a pa z e ad ± p ag ccae p e m y an e. e ag aa czla p ag aa, g y az la p ag aa,  
aa, a pa z e ad ± p ag o aue ev ag e z e ad ± p ag e la qa e, aa ae ae ad e ac p aj uua av e aj ue z av azl  
ccp ag uua a av ad a a aj uua ae aa paia ad « ad » av ag e.

C) up azl aaq 1/2 ai paia adz ai a an p e uua :

- 1) f ± ae la p ae ad i pa ga, u aj ue up azl aaq 1/2 ai, a uua ae ab eqe aa azl.
- 2) aaq 1/2, a ai aa w a ai ad e uua paj va, asazl ai o e as e uua w 1/2, aa azl o aue  
w a ai ad e uua ce aa p ae azl paj va aaq 1/2 ue ai » w ai ae ab mzav, aa azl.
- 3) aaq 1/2 ai z e ad ± p ag uua e e a ap av paj va o aue aaq 1/2 ai « paia uua paj va  
p ad g az e ae ac ue aa a aj, aa azl.





4.  $\text{PÁ}\text{ÄÖPÄ}$  RjÄÇ AíÉÄdÉÁiÄÉÁiÄ RjÄÇ ¥ $\text{PÄPÉUMÉÄB}$  PÄAzbeRjÄÇ „kÁw (1.1.1.)  $\text{PÄÄZÉ}$   $\text{PÄÄR}$   $\text{PÄÄZÄ}$ .
5. AíÉÄdÉÁiÄAvÉ RjÄÇ DzÄU $\text{Ä}$  ©qÄU $\text{bÉ}$  ¥ $\text{KÉgÉPÜMÄ}$  G $\text{,PÄj}$  °ÁU $\text{KÉ}$   $\text{PÄÄUMÄ}$  C $\text{PÄiÄ}$  „ZÄD $\text{PÉ}$  SzP  $\text{PÄÄUMÄV}$  PÄÄ.
6. EAzÉÄ ¥ $\text{KÉgÉPÉ}$   $\text{PÄÄ}$  °LÉ
7. ZÄ,ÁÉÄ (EÉAI j)  $\text{PÄÄ}$  °LÉ
8. « $\text{PÄVÄiÄ}$  GUÄ $\text{PÜMÄ}$   $\text{PÄÄ}$  °LÄiÄ ¥j ZÄ $\text{EÉ}$
9. ¥ $\text{KÉgÉPÉ}$   $\text{PÄÄUMÄ}$  PÄj vÄ J $\text{-Äé}$   $\text{PÄÄUMÄ}$   $\text{PÄÄÖgUMÄ}$ , «ZÄÉUMÄ,  $\text{PÄÄUMÄZÄDÉÄ}$  °ÁU $\text{KÉ}$  AíÉÄdÉUMÉÄB 1ZÄ $\text{PÄ}$   $\text{PÄÄZÄ}$ .

#### 14. PÄÉÄÉÄE $\text{-ÄSÉ}$

$\text{PÄÄRÄ}$  PÄÉÄÉÄ C $\text{PÄjUMÄ}$  F E $\text{-ÄSÄiÄ}$   $\text{PÄÄRÄ}$  „gÄVgÄvÄ $\text{bÉ}$  °ÁU $\text{KÉ}$  F PÄPÄqÄvPÄ °ÉUÜÄj PÄiÄ G $\text{,PÄj}$   $\text{PÄ}$  1gÄvÄ $\text{bÉ}$

1.  $\text{PÄPÄZÄ}$  Dq $\text{vÄ}$  / PÄÄ $\text{ÖPÄ}$  „AWÜ $\text{zÜÉ}$  „ASAc $\text{v}$  zÄ PÄ,ÄÜ $\text{zÜÉ}$  „ASAZ $\text{MÄ}$  ÄVÉ Cq $\text{PÄPÄmi}$  dÉ $\text{bÄ}$  i g $\text{PÄgÉÄB}$  °ÁU $\text{KÉ}$  Ev $\text{bÉ}$  ¥ $\text{PÄÄRgÉÄB}$  „Ä $\text{QDÖ}$  1 C $\text{PÄgÉÄCÜÉ}$  „PÄÄ $\text{-ÉÄÄ}$  1 F PÄ,ÄÜ $\text{zÜÉ}$  °ÄdgÄUÄ $\text{PÄZÄ}$ .
2. „PÄÄÖZDÉ ÄÄÄiÄ $\text{PÄÄZÄ}$  ¥ $\text{PÄgÄTUMÉÄB}$   $\text{PÄÄ}$  „ $\text{PÄZÄ}$ .
3. PÄ $\text{PÄ}$  wAU $\text{zÜÉ}$  Jg $\text{bÄ}$  « $\text{PÄUMÄZÜÉ}$  „Än  $\text{PÄÄR}$  ÄÄÄiÄ $\text{PÄÄUMÄPÄ}$   $\text{PÄÄ}$  „ÄQ EgÄ $\text{PÄ}$  ¥ $\text{PÄgÄTUMÄ}$  SÜÉ « $\text{PÄÄD}$  É $\text{bÉ}$   $\text{PÄZÄ}$ . EzPÉ „ASAZÄ ¥Ä 0  $\text{PÄÄgÉÄB}$  „Ä $\text{QDÖ}$  1 ¥ $\text{PÄgÄTUMÄ}$  SÜÉ Z $\text{bÖ}$  1 C $\text{PÄjÜÉ}$   $\text{PÄÄUMÄZÄDÉÄ}$   $\text{PÄÄqÄPÄZÄ}$ .
4. « $\text{PÄUMÄPÄ}$   $\text{PÄÄ}$   $\text{PÄÄ}$  „ $\text{PÄZÄ}$  „Äv $\text{gÄPÄ}$  PÄÉÄÉÄ C $\text{PÄjUMÄ}$  / „PÄÄiÄPÄ PÄÉÄÉÄ C $\text{PÄjUMÄ}$  PÄÄiÄ $\text{PÄÄ}$   $\text{PÄÄ}$  ¥j ZÄ $\text{PÄ}$   $\text{PÄZÄ}$ .
5. PÄÄ $\text{ÖPÄ}$  ÄÄÄiÄ $\text{PÄÄUMÄ}$  ¥ $\text{PÄgÄTUMÉÄB}$  wÄ $\text{PÄÄV}$  ¥ $\text{PÄPÄ}$  1 C $\text{PÄUMÄ}$  PÄj vÄVÉ j mi ; n $\text{PÄEiUMÄ}$  / j mi C $\text{PÄÄUMÉÄB}$  „PÄÄ $\text{PÄ}$  SÜÉ  $\text{PÄZÄ}$   $\text{PÄZÄ}$ .
6.  $\text{PÄPÄZÄ}$  ÄÄÄiÄ $\text{PÄÄUMÄ}$  ¥ÄÉÄ $\text{PÄÄ}$   $\text{PÄÄgÉÄB}$  DVAZÄVÉ PÄAZbePÄ $\text{PÄj}$  ÄiÄ $\text{PÄ}$   $\text{PÄ}$  ÜÉ P $\text{bÉZÄ}$   $\text{PÄPÄZÄ}$  ¥ $\text{PÄgÉÄ}$  (PÄ,Ä) U $\text{MÄ}$  SÜÉ „PÄÄ $\text{-ÉÄZÉÉ}$  É $\text{bÉ}$   $\text{PÄZÄ}$ .
7.  $\text{PÄPÄZÄ}$  Dq $\text{vPÉ}$  „ASAc $\text{v}$  zÄVÉ PÄÉÄÉÄ «ZÄgUMÉÄB E $\text{-ÄSÜMÄ}$   $\text{PÄÄRÄ}$  „gÄ e $\text{ÉVÄiÄ}$   $\text{PÄÄ}$  Z $\text{bÖ}$   $\text{PÄZÄ}$ .
8. E $\text{-ÄSÜPÄ}$  PÄÉÄgÄ $\text{PÄ}$  PÄÉÄÉÄ C $\text{PÄÄÄÄPÄÄ}$   $\text{PÄÄ}$  C $\text{PÄjÜÉ}$   $\text{PÄ}$  „ $\text{PÄZÄ}$ .
9. PÄÄ $\text{ÖPÄ}$  „ASAc $\text{v}$  °ÁU $\text{KÉ}$  C $\text{PÄVÄVUMÄZÜÉ}$  „ASAc $\text{v}$  P $\text{bÄMUMÉÄB}$  ¥j ZÄ $\text{EÉ}$  É $\text{bÉ}$   $\text{PÄPÄÄiÄUMÉÄZÜÉ}$  „PÄÄ  $\text{PÄÄDÄPÄ}$  (1&¥) g $\text{PÄjÜÉ}$   $\text{PÄÄR}$   $\text{PÄZÄ}$ .
10. C $\text{PÄgÄZÄ}$  ¥ $\text{PÄgÄTUMÄ}$  É $\text{bÄ}$   $\text{PÄj}$  vÄVÉ «ZÄgUÄC $\text{PÄjUMÄ}$  / 2,ÄÜ ¥ÄC $\text{PÄjUMÄ}$  PÄÄ / PÄÄiÄÄÖUÄgUMÉÄB ° $\text{PÄÄPÄÄPÄZÄ}$ .

11. „A, Aia a DA®ga PAIAÖ®a a b° lAia a Pj AiAEAB ¥j 2° „AaIza CaIga „PA¥DPA aAZPEAB aAar „IzA °KEAVzi° e CaIj UE C „PIAZAEA / aAZAUe ¥A/bœAQa aIza.
12. GZD EAiAIA®AiA °AUME „PÇAZD EAiAIA®AiAZA aDA®ga PAIAÖ®aEAB ¥j 2° „AaIza.
13. „UPAZA ¥Bqit zi° e „PAögpA MAZA ¥PEAVzi° e CqKEAPAmi dEbjTi / „PAöj aDA®gEAB „A¥DÖ „AaIza.
14. „UPAZA ¥AEETIEA aDA®ga „PA¥DPPAV PE® „A a b° „IzA Ezi° e CaIga °E„IjEAB ¥hÖ-IAZA PE°qA aIza, aAVAU „KEPPAZA aDA®gEAB ¥AEETIEPE „Aj „PA CaIga °E„IjEAB 2¥AgA AU aIAqA aIza.
15. zMPAZA CCPAgIzP e aDA®j UE aAQa APAZA ©®AUMA ¥Aaw aIAqA aIza.
16. zMPAZA CCPAgIzP e CUM«gAa JA.«.1. PA „AUMA aAPAAIAUKE½ „PA PBA vUEZAPKE¼A aIza.
17. aIA»w °PAI CCPAiAaA 2005 ga Cr PAazbPbAj AiA° e „AaDd°PA aIA»w CCPAj AiIAV PMD°a a b° „AaIza.

C) C¥WAvA¥JA° AgA°Cu -

C¥WAvA ¥j °AgA °CAiA PAIAÖZPÖAiIAV C¥WAvA ¥j °AgA °Cu I qEIA PAIAÖZI AahPUMA a b° lE - I qEIA „A UMEAB EbeA aIza. PEaAAZAgj UE aIAaIAEA „AgA ¥j °AgIzA aKEVPEAB aAQa aIza. °CAiA °tPA¹EA a b° lE EvAc.

D) C¥WAvA¥JA° AgA°Cu(C¥A) ±ASE -

1. C¥k I qö rÄqi zAR-UMÄ
2. C¥k I qö „A IAiA n¥tUMÄ
3. C¥k I qö „A IAiA EbeA a½UMÄ / oGaaNUMÄ
4. C¥k ¥j °AgA aAAdAgAw PqM / j f „Iji
5. C¥k °t °KErPUMA zAR-UMÄ / PqMUMÄ
6. C¥k „AaPI -PIza ¥A „i ¥A „PA / ZPI ¥A „PIUMÄ / j f „Iji
7. C¥k -PI ¥j ±KEAZPqA PqM

15. PAEAEAE-ASE

aARa PAEAEÄ CCPAj E aIga F E-ASAIa aARa „IbAVgAvAgE „ASACwA «ZAgUMÄ PAEAEÄ PAIAÖZI AahPUMA E aIga G „APAj AiA° gAvIzE

1. EA®AI „UPAUMEAB ¥bœCu C I A®AUMEAB / aAgA C I A®AUMEAB „PE aIza. gAda „Aj UE ¥ACPAgIzP e ¥Bqit U½UE „ASAZM ÖDZÄ+UMÄ / ¥bœUMEAB ¥IzAPKE¼A aIza.





4. E<sup>a</sup>gÄ S<sup>o</sup>Mi PÄ<sup>a</sup>ÄUÁj Ai<sup>í</sup>EÄdE<sup>U</sup>U<sup>2</sup>UÉ ,MEPÜ ¥ÁCPÁj U<sup>1</sup>/<sub>2</sub>ZÄ Dq<sup>1</sup>/<sub>2</sub>vÁvPA CEÄ<sup>a</sup>KEÄZE<sup>E</sup>AIÄEÄB ¥q<sup>1</sup>/<sub>2</sub>ZÄ EAv<sup>g</sup>Ä v<sup>P</sup>Ää vÄAwPÄ:CEÄ<sup>a</sup>KEÄZE<sup>E</sup> ÄqÄvÁb<sup>g</sup>E
5. ««ZÄ «<sup>o</sup>ÄUUMÄ ,P<sup>e</sup>Ä<sup>a</sup>Ä mÄqgi ¥q<sup>1</sup>/<sub>2</sub>ÄP E<sup>U</sup>MEÄB ,MEPÜ ¥ÁCPÁj U<sup>1</sup>/<sub>2</sub>Ä <sup>a</sup>ÄÄZE<sup>E</sup> <sup>a</sup>ÄÄr<sup>1</sup> C<sup>a</sup>gÄ CEÄ<sup>a</sup>KEÄZE<sup>E</sup> ¥q<sup>1</sup>/<sub>2</sub>ZÄ mÄqgi ,kÄwAiÄ <sup>a</sup>ÄÄZE<sup>E</sup> M<sup>1</sup>UÉ ¥q<sup>1</sup>/<sub>2</sub>ÄIÄvÁb<sup>g</sup>E
6. S<sup>o</sup>Mi PÄ<sup>a</sup>ÄUÁj U<sup>1</sup>/<sub>2</sub>UÉ ,ÄSAC<sup>ü</sup>zÄ °ÄtPÄ<sup>1</sup>EÄ <sup>a</sup>ÄÄdÄgÁw ,Ä¥Ätö CCPÁgÄ °ÄEACzÄv, PÄAiÄö<sup>a</sup>Äö°PÄ C°ÄiÄAv<sup>g</sup>j UÉ ,KEZE<sup>U</sup>MEÄB ÄqÄvÁb<sup>g</sup>E
7. S<sup>o</sup>Mi <sup>a</sup>ÄÄö<sup>t</sup>UMÄ S<sup>U</sup>E<sup>1</sup> <sup>a</sup>ÄÄ<sup>o</sup>UÄ <sup>2</sup>°UÄ °ÄwÄE ,P<sup>g</sup>Ä<sup>i</sup> EAF<sup>a</sup>ÄiÄgiUÄ ,PÄi<sup>í</sup>EÄU<sup>1</sup>/<sub>2</sub>ZEACUÉ «EÄÄ<sup>1</sup>Ä <sup>a</sup>ÄvÄU E<sup>P</sup>ÄE<sup>E</sup>ÄIÄEÄB ¥q<sup>1</sup>/<sub>2</sub>ÄP<sup>í</sup>EÄIÄ<sup>a</sup>ÄZÄ.
8. gÄdÄzÄ J<sup>-</sup>Äe P<sup>q</sup>E J<sup>-</sup>E<sup>e</sup> ÄUPÄZÄ PÄ<sup>a</sup>ÄUÁj P<sup>®</sup>UÄ <sup>a</sup>ÄÄö<sup>t</sup>UP UÉ CÄÄP<sup>M</sup>E EgÄ<sup>a</sup>ÄZ<sup>í</sup>EÄ CAV<sup>P</sup>Ä ,UÄUÄ<sup>P</sup>e ,MEPÜ <sup>a</sup>ÄÄ<sup>±</sup>E<sup>1</sup>/<sub>2</sub>ÄEÄB DÄIÄI <sup>a</sup>ÄÄqÄ<sup>a</sup>ÄZÄ.
9. ÄUPÄZÄ WÄ P<sup>U</sup>ÄÄ / S<sup>1</sup>i <sup>a</sup>ÄÄ<sup>1</sup>tUMÄ / «<sup>o</sup>ÄVÄÄIÄ PÄAiÄöUÄg<sup>U</sup>Ä °ÄUKE ¥ÄZÄ<sup>2</sup>PA PÄAiÄöUÄg<sup>U</sup>Ä PÄ q<sup>1</sup>/<sub>2</sub>ZÄ «EÄÄ<sup>1</sup>ÄP EÄB CAw<sup>a</sup>ÄU<sup>í</sup>E<sup>1</sup>/<sub>2</sub>Ä<sup>a</sup>ÄZÄ.
10. ,PÄö<sup>g</sup>ZÄ G<sup>-</sup>ÄRU<sup>1</sup>/<sub>2</sub>UÉ °ÄUKE «ZÄEÄ ,Ä<sup>í</sup> «ZÄEÄ ¥j <sup>µ</sup>MEÄ ¥ÄU<sup>1</sup>/<sub>2</sub>UÉ Gv<sup>g</sup>UMÄEÄB <sup>a</sup>ÄÄr<sup>1</sup>Ä<sup>a</sup>ÄZÄ.

17. ~~ZÄE~~<sup>a</sup>ÄvÄU eÄU<sup>1</sup>/<sub>2</sub>Ä E<sup>-</sup>ÄSÉ

F E<sup>-</sup>ÄSÄIÄ <sup>a</sup>ÄÄRÄ<sup>1</sup>gÄV <sup>a</sup>ÄÄRÄ ~~ZÄE~~<sup>a</sup>ÄvÄU eÄU<sup>1</sup>/<sub>2</sub>ÄCPÁj UÄÄ PÄAiÄö<sup>a</sup>Äö»ÄvÁb<sup>g</sup>E  
 F E<sup>-</sup>ÄSÜE ,ÄSÄZÄÄÄVÉ ÄUPÄZÄ PÄAiÄöPÄUÄ °ÄUKE Ai<sup>í</sup>EÄdE<sup>U</sup>UÄ CEÄ<sup>µ</sup>ÄEÄ AiÄ<sup>±</sup>ÄUÄV v<sup>P</sup>Ää d<sup>a</sup>Ä<sup>1</sup>Äj UÄEÄB <sup>a</sup>Äö»ÄvÁb<sup>g</sup>E ÄUPÄZÄ D<sup>1</sup>U ¥Ä<sup>1</sup>ÄIÄEÄB °ÄEG<sup>1</sup>ÄÄ <sup>a</sup>ÄU<sup>1</sup>/<sub>2</sub>ÄZÄ Cx<sup>P</sup>Ä <sup>1</sup>SÄC <sup>a</sup>ÄUöCZÄ PÄ¥Äq<sup>1</sup>/<sub>2</sub>Ä MAZÄ eÄ<sup>®</sup>ÄEÄB °ÄEACgÄvÁb<sup>g</sup>E °ÄUKE <sup>1</sup>SÄC <sup>a</sup>ÄvÄU CCPÁj UÄÄ ÄUPÄZÄ °ÄtPÄ<sup>1</sup>EÄB zÄgÄ¥Äi<sup>í</sup>EÄUPÄÄq<sup>1</sup>/<sub>2</sub>ZÄVÉ v<sup>q</sup>ÄIÄ<sup>®</sup>Ä JZ<sup>g</sup>P<sup>1</sup>Ä»ÄvÁb<sup>g</sup>E SÄ<sup>1</sup>ÄIÄ<sup>a</sup>ÄgÄ PÄÄÄPÉ S<sup>1</sup>i ,ÄZÄg<sup>U</sup>Ä S<sup>U</sup>E<sup>1</sup> <sup>a</sup>ÄÄ»w ¥q<sup>1</sup>/<sub>2</sub>ZÄ EZEÄB ¥ÄEÄ<sup>o</sup>Ä<sup>1</sup> E<sup>-</sup>ÄSÉ <sup>a</sup>ÄvÄU ,Äj UÉ E<sup>-</sup>ÄSÜE ,P<sup>e</sup>Ä<sup>a</sup>Ä <sup>a</sup>ÄÄE<sup>®</sup>PA v<sup>q</sup>ÄUÄ <sup>®</sup>Ä PÄÄ <sup>a</sup>Ä»ÄvÁb<sup>g</sup>E ,Ä<sup>1</sup>UÉ zPÄ v<sup>g</sup>Ä<sup>a</sup>Ä PÄÄöPÄ ,ÄWÄ E<sup>U</sup>ÄÄ C<sup>r</sup>Ägi <sup>a</sup>ÄÄ<sup>µ</sup>g<sup>U</sup>Ä S<sup>U</sup>E<sup>1</sup> <sup>a</sup>ÄÄ»wUMÄEÄB ¥q<sup>1</sup>/<sub>2</sub>ÄIÄvÁb<sup>g</sup>E °ÄUÄ S<sup>1</sup>ÄUMÄ ¥ÄÄÄtP<sup>g</sup>Ä v<sup>1</sup>/<sub>2</sub>Ä<sup>1</sup>UÄEÄB E<sup>1</sup>/<sub>2</sub>EÄvÁb<sup>g</sup>E

18. Dg<sup>í</sup>EÄUÄE<sup>-</sup>ÄSÉ -

<sup>a</sup>ÄÄRÄ Dg<sup>í</sup>EÄUÄ CCPÁj UÄÄ F E<sup>-</sup>ÄSÄIÄ <sup>a</sup>ÄÄRÄ<sup>1</sup>gÄÄ, ÄUPÄZÄ EEP<sup>g</sup>ÄÄ °ÄUÄ C<sup>a</sup>gÄ PÄI ÄASUÄÄ ,ZÄ<sup>1</sup>gÄ <sup>a</sup>ÄZÄÄIÄ <sup>a</sup>ÄvÄIÄ d<sup>a</sup>Ä<sup>1</sup>Äj <sup>a</sup>Äö»ÄvÁb<sup>g</sup>E F E<sup>-</sup>ÄSÄIÄÄ ,Ä<sup>a</sup>Äd<sup>a</sup>ÄPÄ Dg<sup>í</sup>EÄUÄ PÄj vÄ WÄ PÄ / «<sup>o</sup>ÄUUMÄ<sup>P</sup>e «ZÄgÄ ,ÄQÄtö, v<sup>g</sup>ÄÄw PÄAiÄöPÄUÄ °ÄUKE ¥ZÄgÄ PÄAiÄöPÄUÄEÄB °ÄÄP<sup>í</sup>EÄÄÄUÄV<sup>í</sup>E

F E<sup>-</sup>ÄSÄIÄ ,g<sup>1</sup>E<sup>1</sup>/<sub>2</sub>ZÄAv<sup>1</sup>/<sub>2</sub>EÄB CEÄSÄZÄ - 8 g<sup>P</sup>e ÄqÄÄVZÉ



7.  $^2$  „ÄÜ ¥Á®ÉÁ ¥Pqñt UMA ÉFEAZtÁ ¥Ä, PA
8. vÁAwPA: 1SAC DzÄ±Ä ÉFEAZtÁ ¥Ä, PA
9. vÁAwPA: 1SAC DzÄ±Ä ÉFEAZtÁ ¥Ä, PA
10. MVA ÉFEAZtÁ / °KEgÀ ÉFEAZtÁ ¥Ä, PA
11. PqñtUMA ZÁ®ÉÁ ¥Ä, PA
12. °KE, Ä °Á°EUMA ÉFEAZtÁ ¥Ä, PA
13. zÉEACÉÄ °Á°EUMA D¥i gFEÄqi ÉFEAZtÁ ¥Ä, PA
14. Rj ÄÇ DzÄ±Ä xAiÄAvte j f, ðji
15. PÁAiÄÄðzÄ±Ä xAiÄAvte j f, ðji
16. mAqi, ASi xAiÄAvte j f, ðji
17. °ÄÄAUqñ PFEÄj PE xAiÄAvte j f, ðji
18. °Á°EUMA CEÄ¥AiÄÄPIUKE½, Ä«PAiÄ j f, ðji
19. CrUÄ ÄUMA xAiÄAvte j f, ðji
20. «`ÁUA °Äi ÇP è °Á°EUP® x°Ä°UÉ °ÁUA zÄgÄÜ
21. °Á°EUMA °ÄVÄU AiÄAvFEÄ¥Pqñt UMA °Ä¶ÖPA zÄ, ÁEÄ.
22. eÉEPÄiÖ AiFEAdÉÄÄr S, i Rj ÄÇUÉ, ASACü zÄ zÄR-ÄwUMA.
23. „Ä, ÄiÄ°è °KE, zÄV eÄjUÉ vqñ ÄUÄwqñ°Ä «.n.JA.J, i °ÄVÄU |.L.J, i. 1, ÄUÉ „ASACü zÄ zÄR-ÄwUMA.

2. GUÄte °ÄVÄURj ÄÇ E-ÁSE -

1. E-ÁSAiÄÄ „ÄÄVUMA Rj ÄÇUÉ CEÄ, j, Ä°Ä ¥zÄw °ÄVÄU „ÄÄÄEÄ xAiÄÄUMA °ÁUKE zÄR-ÜMÄ.
2. F - mAqgi «zÄEÄ °ÄVÄU „ASACü zÄ °ÄÄ»wUMA °ÁUKE zÄR-ÜMÄ
3. E-ÁSE-ÄAZÄ Rj ÄÇ, Pqñ°Ä „ÄÄVUP® ¥ÄÄÄt, °ÄE®Ä °ÄVÄU Evge «°ÄUMA °ÁUKE zÄR-ÜMÄ
4. mAqgi D°ÄEÄ °ÄVÄU CÇU, KEZEÜ½UÉ „ASACü zÄ «°ÄUMA °ÁUKE zÄR-ÜMÄ
5. mAqgi CEÄ, KEa «°ÄUP® °ÄVÄU mAqgi zÄ, ÄPÄdÄUMA
6. mAqgi vgeZÄAvqñ „ÄUP®¹zÄ „gSgÄdÄZÄgqñ ¥KE°ÄÖ°ME °ÄUÄ ¥KE°ÄÖ°ME °ÄVzP è CAVÄPj, PÄ Ö°ÁUKE wgÄ, j, PÄ Ö mAqgiUP® «°ÄUMA.
7. zqñÄhÜMEÄB vgeZÄAvqñ „ÄUP®¹zÄ „gSgÄdÄZÄgqñ mAqgiEP è EPÄEÇ¹zÄ zqñ °ÄVÄU Evge xSAZEUMA «°ÄUMA °ÁUKE zÄR-ÜMÄ.
8. „ÄÄVUMA „gSgÄFUÄV xÄr zÄ DzÄ±UMA °ÄVÄU „gSgÄdÄZÄgqñ «°ÄUMA °ÁUKE zÄR-ÜMÄ.
9. „ÄÄVUP® ¥KEgPE °ÄUÄ S¼PUE „ASACü zÄ «°ÄUMA.



- 19) „PÁÖgkAZÀ SAZÀ ¥MÜMÀ «ª ÁÖ°UÁ PÜMÀ
- 20) «ÄAQ½ n¥itÜMÀ °ÁUKE UÄxÁ®AiÜMÀ PÜMÀ
- 21) „Ä,ÜAiÀ J-Äe WÄ PÜMÀ è °ÁUKE «·ÁVÁiÀ PÄAZbe,ÄEzP è UEGPÀ «ÉZÄCPÄJ UÄEÄB «AiKEÄF,ÄªÀ PÜMÀ
- 22) ÖÄqÄª «ÄVÄÜ,ÄÄ,ÜWPA ZI ÄªhPÜMÀ PÜMÀ
- 23) PÄAZbÄbÄj AiÀ ««ZÀ E-ÁSAiÀª «ÄÄRi,ÜKEACUEª «ÄÄRZÀ ¥MbeP P ÄGÜMÀ PÜMÀ
- 24) „Ä,ÜAiÀª è ±ÄAWKÄÄiÀª «ÄVÄÜ CvÄÄMÄª „Äªé „PªZÀ PÄ«ÄÖPJ UE EÜIZÄ ¥ÄGÄ,ÄGÄ «vJ,ÄªÀ PÜMÀ
- 25) „Ä,ÜAiÀ „Äªh-ÄAZÀª «ªÄVgZÀ / „ÄiÄÄ ¥ÄGÜÄª «ªÄMÜ °KEACZÜ gÄFEÄªÄ „PªZÜª «ÄÄUKEAQªª «ÄVÄÜª «ÄGÄt °KEACZÄ EEPgÄ ¥PÜGÄtUMª è CAWªÄ C·ÄxÖEÜMÄZÄª ·ÄKµÄª «CÜ PÄI ÄAS ;AZÄtÄ UÄAYÄª «ªÄÄ AiKEÄdEÉ G¥ZÄEÄª «ÄGÄt -ªÄª«ÄMÜª «CÜMÄ EVÄxÖ SÜFªª «ÄÄ°ZÄGÜE PÜMÀ
- 26) EEPgÄ UEGÄª °ÄdgÄwª «ÄiÄAvÄZÄªª «ÄÄ°ZÄGÜÄiÄª PÜMÀ

5. „ÄZÄGÄE-ÄSE

„ÄZÄGÄ E-ÄSAiÄª ±ÄSPÄGÄª «ªÄÖ»ª ÄWÜGÄªÄ ZÄR-ÜMÄª °É,ÜGÄª °ÁUKE «µÄiÄÜMÄª «ªÄGÄ

1. EÄÄMEEE- 5 :

«ÜPÄZÄ J®è «·ÄÜMÄª PÄÄiÄÄÖZÜGÜEª «ÄÄGÄªÄª CEÄ,ÄEÄÜMÄª (ªÜÖªÄGÄ), Q.«ÄÄ. PÜÄ,Ä«PÉ 1SÄÄC CUMÄÉ,ÄVÄP½ÜMÄª,ªÄ°EÄª°ÁUKE 1SÄC S¼PÄiÄªª «ÄÄ1PÄª «ªÄGÄ

2. 1SÄC 1W :

«ÜPÄZÄ J®è «·ÄÜMÄª PÄÄiÄÄÖZÜGÜEª «ÄÄQÄªÄÖGÄªÄª CEÄ,ÄEÄÜMÄªUE CUMÄ«GÄªÄª 1SÄCÄiÄª °ÁUKE ®·ÄKªªÄª 1SÄÄCÄiÄª °ÄdgÄw, UEGÄª°ÄdgÄw CªÄÄEÄMÄÜ EVÄÄCÜMÄªª «ÄÄ1PÄª «ªÄGÄ

3. PÄÄiÄÄÖ AiKEÄdEÉ

«ÜPÄZÄªª «ÄV-ÄAZÄª PÄÄiÄÄÖZÜGÜEª «ÄÄQÄªÄÖGÄªÄªª «ÄÄQÖPA CEÄ,ÄEÄÜMÄª (ªÜÖªÄGÄ), Q.«ÄÄ. PÜÄ,Ä«PÉ „ÄZÄGÄ DzÄÄiÄª „ÄÜEÄª ¥Mbe Q.«ÄÄ. DzÄÄiÄª,ªÄ°EÄª S¼PÉ EVÄÄCÜMÄª SÜFªª «·ÄÜPÄGÄª °ÁUKEª «ÜPÄZÄª UÄjª «ÜK¥Äª,ÄªPÉ

4. I ÄVÄPÄGÄª¥ÄÄÄt ZGÄª°ÁUKE CEÄ,ÄEÄÜMÄªGÄZÄM :

ªÄ¼ÜÄªZÄª ¥ÄÄÄPÜª °ÁUÄª „ÄZÄGÄ MvÜQÄ PÄªÄ EgÄªÄ PÄGÄt dÄ-É, DUA,ÜÖª °ÁUÄª,¥ÄSgÜª wÄÜMÄÜPª zÜGÜMÄ PÄªÄÜKE½,Äªªª °ÁUKE CEÄ,ÄEÄÜMÄªEÄB gZÄÄ¥Äª,Äªª SÜFªª ¥ÄÄPÉÉ PÄj vÄ.

5. ¥ÄÄVÄ,Äj UÜÄÄDZÄÄiÄª:

ªCÄ-ÄEÄª °ÁUKEªª «ÄÄiÄEgÄª,Äj ÜÜMÄª PÜÄ1ZÄ Q.«ÄÄ.ÜMÄª, „Äj UE DzÄÄiÄªª °ÁUKE ¥Mbe Q.«Ä. DzÄÄiÄZÄªª «ÄÄ1PÄª «ªÄGÄ

6. PĀĀn PĒPĀi ĪĪŌZĠĀÉ

☐UPĀZĀ Ĵj UŪP ŪÉ ĴPĀĒĀAvĠPĀV CEĶPĪPĀV PĀĀĪĀŌZĠĪÉ ĀĪĀr EĴŌ GĀĪ Ā  
ĀĪĀqĀĀĪ SĀĴM Ĵj UŪMĀ «ĀĴĀ

7. ☐ĀĀŌPĴĀŪÉ ĒĀĀ ĴĀĀ:

☐UPĀZĀ ☐ĀĪĀĀŪMĒĀĪĀ ĴĀĀĪĀ° Ē GvPĀĀV PĪŌĀĪ ☐ĀŌ» ĴĀĀ ☐ĀĀŌPĴĀ ŪÉ ĴĀĀ  
ĴĀŌU ☐ĀĀqĀĀĪ SŪÉ

8. «ZĀĪyŌ j ĀĪĪ-Āw SĴĪ ĴĀĪ :

«ZĀĪyŌUĴŪÉ CĀĴĀ ĀĴĴĀĀĒĀZĀ ĄĒĪĪPĀ PĀAZĒĒ °ĒĒĀV SĴPĀĀ MAZĀ ĀĪĀŪŌZĪÉ  
UĴ ĴĀ 50 Q.«ĀĀ. zĪEĴĴĀ ĀĴŪÉ ĴĀĪĀĪĀĴĀĴĀ j ĀĪĪ-Āw zĴĴĀ ĴĀĴĀ ŪŪMĒĀB ĄĒĪĪPĀ °ĀvPĀĴĀ  
☐ĀĀqĀĀĪ ŪŪĪWĴÉ

9. ĀĪĪPĀSĴĪ ĴĀĪ :

☐ŪĶvĀ ĀĪĀŪŌZĪÉ ĴĒĒĒĒĒ ĴĀĪĀĪĀĴĀĴĀĀ ĴĀĪĀĪĀĴĀĴĀ CEĀPĒĒPĀV ĀĪĪPĀ SĴĪ ĴĀĴĀ  
SŪÉ

10. ĴĀĀvĪĒn PĒĪmĪUĴĀĀ :

EZĪĀ SĀZĀ PĴĒ SĴĀĪ MAZĀ ĀĴĀ PĀĒ ĴĀĴĀV ĴĀĪĀĪĀĴĀĴĀĴĀĴĀ ĴĀĀvĪĒ  
n PĀĪ ŪŪMĀ SŪÉ

11. CAZĠĀGavĀSĴĪ ĴĀĪ :

ĴĒĒĒŌ CAZĴĪ ŪÉ ☐ĀĀqĀĀĪ GavĀ SĴĪ ĴĀĴĀ ŪŪMĀ SŪÉ

12. CAŪĶPĴĠĴĀĪĪĪ-Āw SĴĪ ĴĀĪ :

ĀĀ»ĴĀ ĀĀvĀŪ ĀĀPĪMĀ CŌPĪĶPĪ E-ĀSĀĪĀĀ ŪĴĀw ĴĀĀ CAŪĶPĴĪ ŪÉ j ĀĪĪ-Āw zĴĴĀ  
SĴĪ ĴĀĴĀ ŪŪMĀ SŪÉ

13. ĴĀĀvĪĒ° ĒĒĴĀĪ ŪĴĠĀSĴĪ ĴĀĪ :

gĀĀĀ ĴĀŌġPĀ ŪĴĀw ĴĀĀ ĴĀĀvĪĒ° ĒĒĴĀĪ ŪĴĴĪ ŪÉ ☐UPĀZĀ ĴĀĀĒĒĀ ĀĀŪZĪĒvĀ ĀĀvĀŪ  
gĀĀĀĀ SĴĀŪŪĴĀĒ ĒĒĴĀĴĒĒĒŪÉ ĀĀvĀŪ CĀvĴĀ gĀĀĀ ĴĀĴĀĄŪĴĀĒ ĒĒĒĒĒĀV ĴĀZĴĪ ĴĀĀ SĴĪ  
ĴĀĴĀ ŪŪMĀ SŪÉ

14. ĴĀĀĴĀġĀSĴĪ ĴĀĪ :

ĴĀĀĴĀġĀ ŪÉ ☐UPĀZĀ EŪĴĀ ĀĀvĀŪ EŪĴĀ °ĒĒĒPĀĪĀ ĴĀĴĀŪĴĀĒ ĴĀĴĀĪĪĪ-Āw  
SĴĪ ĴĀĴĀ SŪÉ

CĀĀŌĒĀ ĴĀĴĀŪ «ĒĒĴĪ ŪÉ MĒĀĪĀĒĪ ĀĀvĀŪ ĴĀĴĀ MĒĀĪĀĒĪ ĴĀĴĀĄŪŪŪÉ  
SĴĪ ĴĀĴĀ ĴĀĀqĀĀĪ SŪÉ

MĴĀZĀ ĀĀĴĴĒĒĒ °ĀŪĒĒ ŪĀwŪÉ DzĀĴĴĀ ĀĀĴĴĒĒĒ ĀĀ°EŪŪĒĒB ☐ĀĀqĀĀĪ SŪÉ

☐UPĀZĀ SĴĪ ☐-ĀĴŪŪĴĀĒ ĀĀĴĀĀĀ ĀĀĴŪŪĒĒB ĀĀĀĀĒĒĒ ĀĀĀqĀĀĪ SŪÉ

18. eÁ»wgÁwEÁŠUÉ: Š, i «-ÁItUMR è eÁ»gÁVÁ ¥PpUÁtÁB C¥PÁr, PÁ aÁVÁU Š, ÁUÁ aÁÁ-É eÁ»gÁVÉÁB ¥ZPÖ, PÁ ¥bP ÁEMZÁgbEÁB DAIÁI aÁÁqÁ aÁ ŠUÉ
19. ®UÁdÁ, ÁUÁÁ «URÁZÁ, Áj UUMR è, ÁV, Á ÁUÁ aÁ ««ZÁ ®UÁdÁUÁUÉ, ÁŠACiŕZÁVÉ ZbÁ «UK ¥r, Á aÁ ŠUÉ.
20. C¥WÁVÁgÁvAZÁ®PÁ, ÉÁ ¥ÁÁ: 15 aÁUÁUÁ PÁ® C¥WÁVÁ gÁVÁ ZÁ®EÁ, Á aÁUÁV aÉZÁ ¥ZPÁ °ÁUKE EUZÁ ¥ÁU °ÁVÁU KÁ aÁUÁUÁ PÁ® C¥WÁVÁ gÁVÁ ZÁ®EÁ, Á aÁUÁV ÁZÁ ¥ZPÁ °ÁUKE EUZÁ ¥ÁU
21. C¥WÁVÁ¥Á°ÁgÁŠUÉ: «ÁURÁgÁ C¥WÁVÁUÁ aÁÁ»w (ÁŠÁ aÁÁVgÁ / UÁÁiÁÁÁ «aÁb) PÁEÁPÁt.
22. C¥WÁVÁ¥Á°ÁgÁŠUÉ: C¥WÁVÁUÁEÁqÁ «URÁZÁ, Áj UUMR è, ÁZj, ÁwÁZÁ ¥ÁÁÁtPÁ aÁÁVgÁZP è / UÁÁiÁUÁEÁqP è «URÁ «ÁqÁ aÁ ¥j °ÁgÁ PÁEÁj ŠgÁ aÁ ¥ÁÁUÉ ŠUÉ.
23. CAVgÁgÁdÁ, Áj UEPÁÁiÁÖZgÁÉŠUÉ:  
«URÁ aÁ ÉgÉ gÁdÁUÁUÉ PÁÁiÁÖZgÁUÉ aÁÁqÁ aÁ CAVgÁ gÁdÁ, Áj UUMR aÁÁ1PÁ ÁgÁ ¥ÁE Q.«ÁÁ, DzÁÁiÁ «aÁb, ÁUÁ
24. aÁ°ÁUÁÁÁ ÁRUÁiÁZÁgZÁ ÁgÁE¥ÁÁiÁÁ ÁŠUÉ:  
«URÁ aÁ ÁRUÁiÁZÁgZÁ aÁÁgUÉ aÁÁUÁEÁB ¥bÁiÁ®Á PÉUKEÁt ÁUÁ aÁ mÁqgi ¥ÁÁiÁ °ÁUÁ PÁÁiÁÖZgÁUÉ «ÁiÁ aÁÁUÁEÁB gÁE, Á aÁ ŠUÉ.
25. Z, ÁU ¥PÁUÁ ŠUÉ: PÁgÁ, Á «URÁZÁ, ÁZÁgÁ E-ÁŠUÉ, ÁŠACiŕZÁVÉ «ÁUUMR è PÁD aÁ «aÁD», ÁwÁ aÁ «ÁUÁ, ÁZÁgÁ CCPÁj UÁ °ÁUKE, PÁÁiÁPÁ, ÁZÁgÁ aÁÁ, ÁU¥PÁ °ÁUKE PÁZbPÁj ÁiÁ, ÁZÁgÁ E-ÁŠÁiÁ, ŠACÁiÁ, Z, ÁU ¥PÁUÁ °ÁUKE «ZÁgÁt ¥ÁÁiÁ.
26. ŠAC aÁÁÁÁÁÉ «ÁUKAZÁ «ÁURÉ aÁUÁÁÁUÉ aÁÁqÁ ÁUÁ aÁ J-ÁE, ÁZÁgÁ aÁÁ°ÁZÁgPÁ °ÁUKE ZÁ®EÁ ŠACÁiÁ aÁUÁÁÁUÉ
27. ÁÁÁ¥Á, PÁÁÁÁ °ÁUKE «aÁÁÁÁÉ: PÁZbPÁj ÁiÁ, ÁZÁgÁ E-ÁŠÁiÁ è PÁD aÁ «aÁD», Á aÁ J-ÁE CCPÁj / ŠACÁiÁ, ÁÁÁ ¥Á, PÁUÁ °ÁUKE, ÁZÁgÁ E-ÁŠUÉ, ÁŠACiŕZÁ CCPÁj UÁZÁ «ÁUÁ, ÁZÁgÁ CCPÁj UÁ °ÁUÁ, PÁÁiÁPÁ, ÁZÁgÁ CCPÁj UR aÁÁPÁ, Á aÁ aÁb ŠUÉ.
28. C aÁÁgi aÁÁÁÁÁÁ «UÁÁZÁ / SÁ, Á ŠÁÁUÁ KeÁmiUÁ «aÁb C aÁÁgi aÁÁÁÁiÁ aÁÁÁUÁÁV D, ÁUÁEÁB gÁEÁZÁVÁ °ÁUKE °ÁEgÁ gÁdÁUÁUÉ «URÁZÁ °ÁUKE DAIÁI aÁÁrgÁ aÁ SÁ, Á KeÁI gÁ «aÁb



## VÁSÁZMÁÁSÉ

1. <sup>a</sup>ÁgáZá v<sub>k</sub>SÁ PÁAIÄÖPÉZÁ «<sup>a</sup>ÁgPÉAB v<sub>k</sub>SÁ <sup>1</sup>ŠACU<sub>1/2</sub>UÉ «Áqá<sup>a</sup>Á PqMÁ
2. EÉimÉI<sup>1</sup>Á<sup>a</sup>i, EAI gi«ÁQAU<sup>i</sup> <sup>a</sup>ÁVÄÜ eÁPI¥Ámi PÁAIÄÖPÉZÁ<sup>a</sup>EAB PÁAZb<sub>v</sub>kSÁZMÁ EÁq<sub>1/2</sub>Á<sup>a</sup>Á PqMÁ
3. PÁAZb<sub>v</sub>kSÁZMÁ «<sup>1</sup>ÁU<sub>1/2</sub>ZÁ v<sub>k</sub>SÁZMÁ <sup>a</sup>ÁVÄÜ Dq<sub>1/2</sub>VÁ <sup>1</sup>ŠACUMÁ v<sub>k</sub>SÁ <sup>1</sup>ŠACAIÄ PÁAIÄÖPÉZÁVÁIÄEAB ¥j <sup>2</sup>Á° , Á<sup>a</sup>ÁZÁ.
4. v<sub>k</sub>SÁZMÁZÁ CCPÁJ U<sub>1/2</sub>UÉ °Áq<sub>i</sub>Ö<sup>2</sup>¥i C<sup>-</sup>ÁEÁIÄEii «Áqá<sup>a</sup>Á PqMÁ
5. C<sup>a</sup>ÁÁEÁVÄÜ DzÁ±PÉAB v<sub>g</sub>PÁU<sub>1/2</sub>¥, PÁ , ÁEPÁCPÁJ U<sub>1/2</sub>AZÁ CEÁ<sup>a</sup>ÁEÁZÉVÁIÄEAB ¥Áq<sub>1/2</sub>ZÁ , ÁŠAZMÁ Ö «<sup>1</sup>ÁU<sub>1/2</sub>UÉ w<sub>1/2</sub> , Á<sup>a</sup>Á PqMÁ
6. PÁAZb<sub>v</sub>kSÁ <sup>1</sup>ŠACUMÁEAB , ÁEZÉÉ <sup>a</sup>ÁÁgUÉ «ZÁgLUÉ <sup>a</sup>ÁVÄÜ EÁÁIÄÁ®ÁIÄPÉ PÁÁ» , Á<sup>a</sup>Á PqMÁ
7. v<sub>k</sub>SÁZMÁPÉ , ÁŠAZMÁ Ö , Á<sup>a</sup>ÁÁEÁ , ÁÜ-Á DzÁ±Á <sup>a</sup>ÁVÄÜ , ÁVÁEÁ<sup>-</sup>U<sub>1/2</sub>EAB °ÁEg<sub>r</sub> , Á<sup>a</sup>Á PqMÁ
8. <sup>2</sup> , ÁÜ±ÁŠUÉ , ÁŠAZMÁ Ö , Á<sup>a</sup>ÁÁEÁ , ÁÜ-Á DzÁ±Á <sup>a</sup>ÁVÄÜ , ÁVÁEÁ<sup>-</sup>U<sub>1/2</sub>EAB °ÁEg<sub>r</sub> , Á<sup>a</sup>Á PqMÁ
9. E<sup>-</sup>ÁSÁ <sup>a</sup>ÁÁRá<sub>1/2</sub>ÁgÁ <sup>a</sup>ÁVÄÜ CCPÁJ U<sub>1/2</sub>EAB v<sub>k</sub>SÁCPÁJ U<sub>1/2</sub>AZÁ ¥Áq<sub>1/2</sub>ZÁ , ÁŠAZMÁ Ö «<sup>1</sup>ÁU<sub>1/2</sub>UÉ PÁÁ» , Á<sup>a</sup>Á EÁEÁZÁÁ ¥Á , PÁ
10. PÁAZb<sub>v</sub>kSÁ ZMÁZÁ <sup>a</sup>Á°ÁEUMÁEAB j ¥Áj UÉ <sup>a</sup>ÁVÄÜ «<sup>a</sup>ÁD°LUÉ PÁÁ» , Á<sup>a</sup>Á PqMÁ
11. v<sub>k</sub>SÁCPÁJ U<sub>1/2</sub>UÉ v<sub>k</sub>SÁIÄ UÁWÖEÁ aÁnAIÄEÉ «Áqá<sup>a</sup>Á EÁEÁZÁÁ ¥Á , PÁ ZÁq<sub>1/2</sub>ZÁ <sup>a</sup>ÁEVPÉAB v<sub>k</sub>SÁCPÁJ U<sub>1/2</sub>Á , j ÁIÄZÁ , PÁAIÄZÁ<sup>e</sup> d<sup>a</sup>ÁÁ <sup>a</sup>ÁÁRZÁÁgÁ JAZÁ SÁVj ¥r , Á<sup>a</sup>ÁZÁ.
12. «<sup>1</sup>ÁU<sub>1/2</sub>AZÁ ŠAZÁ UÁÁgÁ PÁ¥Á UÁgÁVÁ ¥Áq<sub>1/2</sub>Á U<sub>1/2</sub>Á<sup>e</sup> VÚZÁPÁEÁqÁ PÉZÁ SUÉ ¥hó <sup>1</sup>ZÁ¥r , Á<sup>a</sup>ÁZÁ.
13. v<sub>k</sub>ÁEÁ<sup>-</sup>É ¥Á , PÁZÁ ZÁ , ÁEÁ j f , Ági, ZÁq<sub>1/2</sub>ZÁ g<sup>a</sup>ÁÁC ¥Á , PÁZÁ ZÁ , ÁEÁ j f , Ági ZÁq<sub>1/2</sub>ZÁ <sup>a</sup>ÁEVIÄÁ ¥Á<sup>a</sup>ÁV , Á<sup>a</sup>Á g<sup>a</sup>ÁÁC ¥Á , PÁ

## 5. Dq<sub>1/2</sub>VÁE<sup>-</sup>ÁSÉ

Dq<sub>1/2</sub>VÁ ±ÁŠÁIÄ°ÉÁ PÁAIÄÖ«<sup>a</sup>ÁD°LUÉ °ÁUME °ÁEÁCgÁ<sup>a</sup>Á ZÁR<sup>-</sup>ÁWUMÁ.

1. <sup>1</sup>ŠAC °ÁdgÁw ¥Á , PÁ
2. M<sub>1/2</sub>Á EÁEÁZÁÁ ZÁR<sup>-</sup>É ¥Á , PÁ
3. °ÁEgÁ EÁEÁZÁÁ ZÁR<sup>-</sup>É ¥Á , PÁ
4. E<sup>-</sup>ÁSÁ <sup>a</sup>ÁÁRá<sub>1/2</sub>ÁZÁ °ÁEg<sub>r</sub> , ÁÁZÁ , ÁVÁEÁ<sup>-</sup>É <sup>a</sup>ÁVÄÜ DzÁ±UMÁ ( , ÁŠACU<sup>i</sup>ZÁ PÁAIÄÖ«<sup>a</sup>ÁD°LUÉ M<sub>1/2</sub>ÁVÁ )

5. „PÁögzP è PÁ® PÁ®PĚ aĪAŸDr, ĀÁzĀ DzĀ±Ā / „MĚĀ-ŪMĚĀB ᵂUPĀZP è CĪPĪ 1PĚAqĀ SŪĚ ZĀR-ŪMĀ, nŸĪtŪMĀ aĪVĀŪ aĪAqĪ/2 EĪqĀaĪ/2UMĀ („ĀSĀCŪ zĀ PĀĀĪĀöᵂaĪ° ŪŪĚ MĪMĪ ĀVĪ)
6. CĪPĀJ ŪMĀ aĪ, Ū ŪĪ°Ā °ĀaPĚ aĪĀRzĀ ZĀR-ŪMĀ. (PĀZbĪbĀJ aĪĪ ŪZP Ī)
7. ᵂUPĀZP ĒĀ CĪPĀJ ŪĪ/2ŪĚ °ĀŪMĚ PĪĀJ ŪĪ/2ŪĚ zĪEgPĀTĀ / aĪĚĀ'Ē-Ī „ĀŸPĪD MzĪV 1gĀaĪ PĀJ VĀZĀ ZĀR-ŪMĀ.

EĀĀ ĀPĀW ±ĀSĀĪĀ° gĀĀ PĀĀĪĀöᵂaĪ° ŪĀ PĀĪŪMĀ:

1. PĀĀĪĀö AĪĚĀdĒĒĪĒĒĪĀ CĒĀ, MĚaUMĀ DzĀgĪzĀ aĪĀ-Ē 1SĀC aĪĀdĀgĀW
2. 1SĀC aĪĀdĀgĀW „ĀSĀzĪzĀ ZĀR-ĀW ŸĀ, PĀ
3. 1SĀC aĪĀdĀgĀW DzĀ±Ā aĪVĀŪ °ĀzŪMĀ aĪŪĀö°ŪĚ „ĀSĀCŪ zĀ ZĀR-ŪMĀ.
4. WĪ PŪMĀ / PĀĀŪĀJ GŸĀ «'ĀŪŪMĚĀB SZĀĀ-Ā, Ā°Ā SŪVEĀ ŸDĀĪŪĚ „ĀSĀCŪ zĀ ZĀR-ŪMĀ «'ĀŪŪMĚĀB SZĀĀ-Ā, Ā°Ā SŪVEĀ ŸDĀĪŪĚ „ĀSĀCŪ zĀ ZĀR-ŪMĀ.
5. «'ĀŪĪ/2ŪĚ °ZĀPĪJ °ĀzŪMĚĀB aĪĀdĀgĀW ᵂĀqĀaĪ „ĀSĀzĪzĀ ZĀR-ŪMĀ.
6. 1SĀC aĪĀdĀgĀWŪĚ „ĀSĀCŪ zĀ -PĪĪJ ±ĒĒzPĪĪ PĀR-PŪĪ/2ŪĚ „ĀSĀzĪzĀ ĀVĚ
7. aĪĀŸĪPĀ DĀĪĀ°ĀĪĀ VĀĪĪĀJ PĀĪĀ aĪĀ»WŪĚ „ĀSĀzĪzĀ ĀVĚ
8. EŪĪĚ „Ā°DᵂPĀ GĪPĀŪĪ/2AZĀ ᵂĀĪĚĀF, PĪqĀaĪ GzĒĒVŪMĚĀB „Ā, ĀĪĀ°Ē «°ĀĒŪĚĒ, Ā°Ā SŪĚ
9. aĪĀdĀgĀWŪĚ „ĀSĀzĪzĀ ĀVĚ „ĪPĀgĪzĀ G-ĀREŪMĚĀB ŸDĀĪŪĚĒ, Ā°Ā SŪĚ
10. «ĀĀ, PĀ ᵂĀWŪĚ „ĀSĀCŪ zĀVĚ VĪPĀZĀ °ĀzŪMĀ ZĀR-ĀW.
11. gĀdĀ aĪĪ ŪZĀ °ĀzŪĪ/2ŪĚ „ĀSĀCŪ zĀ ŸMĚPĀPĀgĀ
12. „ĪPĀgĀ „ĪaĪgĀ, ±Ā, PĪgĀ, «ZĀĒĀ ŸĪ ŪVĪ „ĪzĪgĀŪĪ/2AZĀ EĀĀĀPĀWŪĚ „ĀSĀzĪzĀ ĀVĚ SgĀaĪ ŸMĪĪ/2ŪĚ aĪPĪJ „ĀĀ PĪqMŪMĀ.
13. „PĀögzPĚ PĀ®PĀ®PĚ PĪĀ» „ĪĀPĀZĀ aĪĀ»W / aĪgĪ PĀJ VĀ ZĀR-ŪMĀ.
14. EĀĀĀPĀWŪĚ „ĀSĀCŪ zĀVĚ «ZĀĒĀ aĪĀqPzĀ CĪPĀ±EĪZĀ „AZĀĪDzP è PĀĪĀŪĀ°Ā ŸMĪĪ/2ŪĚ GŪĪJ „PĪ Ū ZĀR-ŪMĀ.
15. »AZĀĪ/2ZĀ aĪŪD, C®ĪĪSĀMĪgĀ, ŸĪ 2µĪ eĀW, ŸĪ 2µĪ ŸĀŪĪqĀ CAŪĪPĪPĪgĀ aĪVĀŪ „ĪPĀ PĀĀĪt ŪĪ/2ŪĚ aĪĀ»W ᵂĀqĀaĪ PĀJ VĀ ZĀR-ŪMĀ.
16. VĪgĀĀVĀZĀgĪgĀ aĪŪĀö°ŪĚ
17. ĪĒŪMĚ° EĒPĪĪ ŪĚ „ĀSĀzĪzĀ ĀVĚ ZĀR-ŪMĀ.
18. C-ĀPĪĪĪ EĒPĪĪ ZĀR-ŪMĀ PĪqMĀ
19. ZĀĪĪĀĪĪZĒĒĀ CĪŪĪ/2ŪĚ „ĀSĀzĪzĀ ĀVĚ ZĀR-ŪMĀ.
20. MĪĒĒĒAZĀĀ aĪVĀŪ °ĒEgĒĒĒAZĀĀ ZĀR-ĀW ŸĀ, PŪMĀ.
21. CĒĀPĀŸĪZĀ / CAŪĪPĪPĪgĀ CĀPĀ°VĀ EĒPĪĪŪĪ/2ŪĚ „ĀSĀzĪzĀ ŪPĪqMĀ

22. CEĀPAŸĪZĀ / CAUKPĪGĀ C<sup>a</sup>Ā<sup>o</sup>vġĒĀB PĀAZĒPĪĀJ, PġĀ, Ā<sup>a</sup>ĀZĒĀ<sup>o</sup>ĀĪĀ<sup>a</sup>ĀVĀU  
ŸĀZĀ<sup>2</sup>PĀ PĀĀĪĪŌUĀġġĒ ĒĀ<sup>a</sup>ĀPĀW<sup>a</sup> ĀĀQĀ<sup>a</sup>Ā PĀJ VĀ.
23. CEĀPAŸĪ CAUKPĪGĀ C<sup>a</sup>Ā<sup>o</sup>vġĒĀB ĒĀ<sup>a</sup>ĀPĀ<sup>a</sup> ĀĀR PĒĒĀĀ<sup>a</sup>Ā SUI<sup>o</sup> ĪġĀPġĀT / ĀVĒĒĀ<sup>-</sup>Ē  
ĪEZĒĒĒĒĒB «<sup>o</sup>ĀUUI<sup>o</sup>UĒ<sup>o</sup> ĀĀQĀ<sup>a</sup>Ā SUI<sup>o</sup>.
24. DAIĀĪĀĪĀZĀ J<sup>-</sup>ĀĒ<sup>a</sup> ĀUĒUMĀ C<sup>o</sup>ĪYŌUMĀ VġĀ ĀW<sup>a</sup> ĀĀQĀ<sup>a</sup>Ā ĀSĀZĀ PġMUMĀ.
25. DAIĀĪĀĪĀZĀ CEĀPAŸĪZĀ / CAUKPĪGĀ C<sup>o</sup>ĪYŌUMĀ ĀSĀZĀĪ ĀVĒ ĒPĀĒĒĒ 1<sup>a</sup> ĀVĀU  
ĒPĀĒĒĒ 2ĒĀB ŸJ<sup>2</sup>Ā<sup>o</sup>ĒUĀV<sup>o</sup> ĪZĒĀ Ē<sup>-</sup>ĀSŪĀV PĪĀ» Ā<sup>a</sup>Ā SUIĒĒĀ PġMĀ
26. DAIĀĪĀĪĀZĀ C<sup>o</sup>ĪYŌUMĀ ĒĀW / DzĀĀĪĀ ŸĒĀĪT ŸĪĒCAPMĪHUMĒĒB ĪĀĀ ĪMĀĪĒĒĒB  
ZĪRĀPġ Ī<sup>o</sup>Ā ĀSĀCĪ<sup>o</sup>ZĀ ŸĀĒPĀJ UĪ<sup>o</sup>UĒ PĪĀ» Ā<sup>a</sup>Ā SUIĒĒĀ PġMĀ

Ā<sup>a</sup>ĀĀĪĀ<sup>o</sup> Ā<sup>o</sup>ĀSĀĪĀ PĀĀĪĪĒ<sup>o</sup> Ā<sup>o</sup>Ā<sup>o</sup> ĀĪĀ PġMUMĀ:

1. PġĀġĀ Ā<sup>o</sup>UĒ<sup>o</sup> Ā GŸĒĀĒĀ ĀĪĀ<sup>a</sup> ĀUMĀ 1960.
2. PġĀġĀ Ā<sup>o</sup>UĒ<sup>o</sup> ĀZĀ ĀĪĀ<sup>a</sup> ĀUMĀ 1961.
3. PġĀġĀ Ā<sup>o</sup>UĒ<sup>o</sup> ĀZĀ ġĒĀ ĀĪĀ<sup>a</sup> ĀUMĀ 1964.
4. PġĀġĀ Ā<sup>o</sup>UĒ<sup>o</sup> ĀZĀ<sup>a</sup> ĀWPE<sup>o</sup> Ī<sup>o</sup>ġ<sup>o</sup> Ī<sup>o</sup>Ī<sup>o</sup> ĀĪĀ<sup>a</sup> ĀĪĀ<sup>a</sup> Ī<sup>o</sup>UMĀ - 1968
5. PġĀġĀ Ā<sup>o</sup>UĒ<sup>o</sup> ĀZĀ ĒĒPġġĀ (ĀĒZĒĀĪĀ) ĀĪĀ<sup>a</sup> ĀĪĀ<sup>a</sup> Ī<sup>o</sup>UMĀ - 1970.
6. PġĀġĀ Ā<sup>o</sup>UĒ<sup>o</sup> ĀZĀ (2<sup>o</sup> ĀU<sup>a</sup> ĀVĀU ĒġM<sup>o</sup>) ĀĪĀ<sup>a</sup> ĀĪĀ<sup>a</sup> Ī<sup>o</sup> - 1971.
7. PġĀġĀ Ā<sup>o</sup>UĒ<sup>o</sup> ĀZĀ ĒĒPġġĀ (ĀĒĒĀġĀ, PĀġĀ, ĪĒĪ ġĪ<sup>a</sup> ĀVĀU ĒPĀ<sup>o</sup> ĪUMĀ Rj ĀĒ<sup>a</sup> ĀĀUġġ)  
1976.
8. PĒJ<sup>o</sup> Ī<sup>o</sup>DġĪ.n.1. ĒĒPġġĀ ĀĒĒĒ PĪ<sup>o</sup> PĀ / ĀĒĒĒ Rj ĀĒ<sup>o</sup> PĀ<sup>o</sup> ĀĀUġġ Ā<sup>o</sup> ĒĀ ĀĪĒĒĒĒĒ -  
1979.
9. PġĀġĀ Ā<sup>o</sup>UĒ<sup>o</sup> ĀZĀ ĒĒPġġĀ (ĀĀVĒĀ<sup>a</sup> ĀVĀU Sr<sup>o</sup>) ĀĪĀ<sup>a</sup> ĀĪĀ<sup>a</sup> Ī<sup>o</sup> 1980.
10. PġĀġĀ Ā<sup>o</sup>UĒ<sup>o</sup> ĀZĀ (ŸĒPĀ<sup>a</sup> ZĀ<sup>a</sup> ĀVĀU ĒĀ<sup>a</sup>ĀPĪ) ĀĪĀ<sup>a</sup> ĀĪĀ<sup>a</sup> Ī<sup>o</sup> 1982.
11. PġĀġĀ Ā<sup>o</sup>UĒ<sup>o</sup> ĀZĀ (C<sup>a</sup>ĪĒĒĒ<sup>a</sup> Ī<sup>o</sup> Ā<sup>o</sup>Ī<sup>o</sup>) ĀĪĀ<sup>a</sup> ĀĪĀ<sup>a</sup> Ī<sup>o</sup> 1983.
12. PġĀġĀ Ā<sup>o</sup>UĒ<sup>o</sup> ĀZĀ ĒĒPġġĀ (ĀġMĒAZĀ<sup>o</sup> ĒĒĒĒĒĒ ŸĪĒĒĒĒĒĒĒ) ĀĪĀ<sup>a</sup> ĀĪĀ<sup>a</sup> Ī<sup>o</sup> 1983.
13. PġĀġĀ Ā<sup>o</sup>UĒ<sup>o</sup> ĀZĀ PġĀĪĀĪ / ĪĪĀ ĪĒĒĒĒ Ā<sup>o</sup>Ī<sup>o</sup> ĀĪĀ<sup>a</sup> ĀUMĀ 1984.
14. PġĀġĀ Ā<sup>o</sup>UĒ<sup>o</sup> ĀZĀ ĒĒPġġĀ (PĀĪĪĪ<sup>o</sup> Ā<sup>o</sup>Ī<sup>o</sup> ĪĀ ĪĒĒĒĒĒ Ī<sup>o</sup>ġĒ) ĀĪĀ<sup>a</sup> ĀUMĀ 1985.
15. PġĀġĀ Ā<sup>o</sup>UĒ<sup>o</sup> ĀZĀ (DAVj PĀ ĒĀ<sup>a</sup>ĀPĀW / ĀĪĒĒĒĒĒ) ĀĪĀ<sup>a</sup> ĀUMĀ 1997.
16. PġĀġĀ Ā<sup>o</sup>UĒ<sup>o</sup> ĀZĀ ĒĒPġġĀ «<sup>o</sup>Ā<sup>o</sup>Ī<sup>o</sup> ġĒĒ<sup>a</sup> ĀĀĒĒĒĒ ĀĪĒĒĒĒĒ
17. CĒPĀġĀ ŸĒĒĒĒĒĒĒĒ PġMUMĀ
18. «<sup>o</sup>ZĀ Ī<sup>a</sup>Ā «<sup>o</sup>ĪĪĪUMĪ ĒĀ ġZĒĒĒVUMĀ ZĀR<sup>o</sup> 1<sup>o</sup>ZĀ ġĪ ĒĒŌUMĀ PġMUMĀ.
19. DġĪĪV PĒ<sup>o</sup> Ī<sup>o</sup> 1<sup>o</sup>ZĒĒĒ Ī<sup>o</sup>ĒPĪĒ Ī<sup>o</sup>ĒĒĒ Ī<sup>o</sup>ĒĒĒĒĒ PġMUMĀ.
20. ĀĪĀ<sup>o</sup>W<sup>o</sup> Ī<sup>o</sup>PĀĪ CĒĒĒĒĒĒĒ Ī<sup>o</sup>ĒĒĒĒĒ PġMUMĀ
21. CAUKPĪGĀ<sup>o</sup> Ī<sup>o</sup>ĒĒĒĒĒ Ī<sup>o</sup>ĒĒĒĒĒ Ī<sup>o</sup>ĒĒĒĒĒ PĀĪĪĪ 1995 PĒ PĀJ VĀVĒ PġMUMĀ.
22. ĪVĒĒĒ<sup>-</sup>Ī<sup>o</sup> ĀVĀU ĀĀQĪ<sup>o</sup> Ī<sup>o</sup>ĒĒĒĒ ĀĒĒĒ PġMUMĀ.
23. PĀĪĪĪ<sup>o</sup> Ī<sup>o</sup>UMĪ<sup>o</sup> Ē<sup>a</sup>Ā<sup>o</sup> Ī<sup>o</sup> ġZĒĒĒVUMĪ<sup>o</sup> ĒĒVĒĒ Ī<sup>o</sup>ġĒĒĒ<sup>o</sup> VġĪĪ ĀĒĒPĪĒ Ī<sup>o</sup>ĒĒĒĒĒ Ī<sup>o</sup>ĒĒĒĒĒ PġMUMĀ.

ZÁR-Áw ¥Ä PÜÄA<sup>a</sup> ð° ÆÉ

1. ««zÄ ,Ä<sup>a</sup>Ä «µAiÄUMÄ SUI. GzÆÄVUMÄ zÄR° 1zi j mi CFÖUMÄ zÄR-Áw ¥Ä PÜMÄ.

2. ,ÄVÆÄ-É zÄR-Áw ¥Ä ,PÄ

3. M¼ÆÆAZÄTÄ / °ÆEgÄ EÆEzÄTÄ

4. PÜMUMÄ ZÆEÆÆÄ zÄR-Áw ¥Ä ,PÄ

<sup>a</sup>JµÄÄ ±ÄSÄIÄPÄAiÄ<sup>a</sup> ð° ÆÉ<sup>a</sup> ÄVÄCzPÉ ,ÄSÄCÜzÄzÄR-ÜÄÄ -

1. <sup>a</sup>ÄÄ° ZÄgPÄVgÄ <sup>a</sup>iÄzUMÄ eÄµÄÄ ¥hÜMÆÄB 1zÄÆÄ ,Ä<sup>a</sup>i PÜMUMÄ.

2. DPÄ¥LÜMÄ 1ÄPÜÜÉ <sup>a</sup>ÄVÄÜ EvÄxÜÆÄ ,Ä«PÄiÄ zÄR-Áw ¥Ä ,PÄ

3. <sup>a</sup>J µÄ SUI. SgÄ<sup>a</sup>i DPÄ¥LÜÉ / <sup>a</sup>ÄÆKÜMÆÄB ¥j 2Ä° ,Ä<sup>a</sup>zÄ.

4. <sup>a</sup>J µÄ SUI. «'ÄUUR ÜÉ ,ÄzÄ'ÄÖEÄ ,ÄgÄ ÄÄqÄ<sup>a</sup>Ä <sup>a</sup>iÄÄÜzÄÆEÄ / ,ÆZEÜMÄ.

5. ,ÄVÆÄ-ÜMÄ PÜMÄ

6. EÄÄiÄÄ®ÄiÄzÆ CÇPÄj / EÆPÜMÄ eÄµÄÄ «µAiÄzÄ SUI. ,PÄ<sup>a</sup>Ä j mi CFÖUMÄ SUI. PÜÆEÄqÄ PÄzÄ SUI. ,ÄSÄCÜzÄ zÄR-ÜMÄ.

5. -PÄ¥ÄÆ-ÄSÉ

1w «<sup>a</sup>gÜÄÄ ±ÄSÉ

1. ÜUR ÄzÄ -PÜMÜMÄ vÄiÄÄj PÜÉ ,ÄSÄzÄÄ Ü PÜMUMÄ

2. ÜUR ÄzÄ DÄiÄ<sup>a</sup>ÄiÄ CAzÄdÄUMÄ ¥j µÄÄ CAzÄdÄUMÄ vÄiÄÄj PÜÉ ,ÄSÄCÜzÄ PÜMUMÄ

3. ÜUR ÄzÄ <sup>a</sup>Ä¶ÖPÄ AiÆÄdEÜMÄ vÄiÄÄj PÜÉ ,ÄSÄCÜzÄ PÜMUMÄ

4. <sup>a</sup>iÄ°ÄgÄ 'ÄÄPÄ ,Ä®UMÄ <sup>a</sup>ÄgÄ¥Ä<sup>a</sup>w zÆÜgÄ

5. ÜUR ÄzÄ ,PÉi 12 (J) (©) Cr DzÄÄiÄ vj ÜÉ ,R PÜÉ ,ÄSÄCÜzÄ PÜMUMÄ.

6. SÄmi ¥ÄÄP EÜMÄ, °ÄtPÄ ,Ä «µAiÄUMÄ ÜÉ ,ÄSÄCÜzÄ «µAiÄUMÄ <sup>a</sup>ÄÄ-É ÄÄqÄ<sup>a</sup>Ä µgÄUMÄ PÜMUMÄ.

7. -PÜMÜMÄ DzÄgÄzÄ <sup>a</sup>ÄÄ-É ÜUR ÄzÄ EvgÉ E-ÄSÜMÜÜÉ <sup>a</sup>ÄVÄÜ ÜUR ÄzÄ °ÆEgMÆÄ E-ÄSÜMÜÜÉ ÄÄqÄ<sup>a</sup>Ä DyÖPÄ «<sup>a</sup>gÜÄ® PÜMÜPÄ.

8. ÜUR ÄzÄ 1gÄ1ÜMÜÜÉ ,ÄSÄCÜzÄ C ,mi <sup>a</sup>ÄÄqÄÄ-iEÄ «<sup>a</sup>gÜMÄ.

9. «zÄEÄ ,ÄÉ / «zÄEÄ ¥j µÄÄUMÄ ¥ÄÜMÜÜÉ GvÜMÄ PÜMÄ

10. ,PÄögÄ JA.JA.Dgi. <sup>a</sup>ÄVÄÜ EvgÉ <sup>a</sup>P P ÄgUMÄ PÜMUMÄ.

11. <sup>a</sup>iÄ»w °PÄi PÜMÄ

12. <sup>a</sup>ÆÄmÄgÄ <sup>a</sup>Ä°EÄ j AiÄÄ-Äw ¥ÄÄiÄ®Ä ,ÄSÄC 1zÄ PÜMÄ















Πλατ ΑΑ	«μΑΑΑΑ
1	αΑΨΙΟΡΑ ΔοΑ/2vΑ αΑγΑϕ
2	αΑΑΨΑΨΑ αΑΔgΑw
3	ΑΑ,ΕΙΑΑΑ DyοΡΑ αΑΑvΑΑΟ ΕwΡΑ ΠΑΑΑΑΔΟΖΑγΑυΕ αΑγΑϕ (Ψ.J.Dgi)
4	CAOCA±Α Ε ΑΣΕΑΑΑ ΑΑvΕΑΕΑ ΕUΑΑΑ
5	J,i,i,i/n.J,i,i
6	αΑgΑAvΑ ΠΑΑΑΑΔΟΖΑγΑυΕ αΑγΑϕ
7	wAUΑA CAZÁdÁ αΑγΑϕ
8	ΑΕΕΑΔΕΕΑ ΔΑΕΕΑΕUΑ 2013-14
9	DyοΡΑ Α«ΑΑΡΕ (Economic Survey)
10	« ΑUΑΖΑ Α°ΑΑΑΠΑ/ΑΣΑΑϕΑΨ UΑA CEAZAJ ,
11	EvAgE ΑΨUΕ ΑΑ,ΕUΑA Ψ.J.Cgi.
12	ΑΑΑγi Q.«ΑΑ. vA:SEU
13	αΑ°ΑΕΑ°ΑγΑΑ ΔΑΑΑΑΖΑΔΑΑΑ Q.«ΑΑ. vA:SEU
14	αΑΨΙΟΡΑ ΑΕΕΑΔΕΕ
15	N.Dgi .i. Α ΕΑΑΑ ΕΑqΑ°Α/2
16	ϕΕΑ°Α» ΑΨUΕ DZÁΑΑΑ
17	Ψ.J.Dgi αΑΑvΑΑΟ CqΑ°Ε ΨΑvΑΕUΑA ΕΑqΑΑ°Ε αAvΑΑ,Α
18	i.L.Dgi .n, ΨΑUΕ. ΑΑ,ΕΑΕΕAϕUΕ ΨAvΑe°Αα°Α°ΑγΑ
19	αΑΨΙΟΡΑ CAOCA±AUΑA αΑΑ»w
20	ΑΑ,ΕΙΑΑΑ ΨΑUΑw ΨAJ zÁ°ΕΕ Α ΕΑΑΑ ΠΑqΑVΑ
21	Α°ΑΑΕΕΑ ΨAvΑe°Αα°Α°ΑγΑ (CAO CA±Α)
22	CEAA,MEα°ΑγΑΑ J.©. αΑΑvΑΑΟ Α°ΑvΑ°ΑγΑΤ vA:SEU
23	ΠΑγΑΤ ΠΕΑvΑΑ°Α ΑΕΖΑΕΑ ΨAvΑe («.α, UΑv/2UΕ)
25	ΠΑγΑΤ ΠΕΑvΑΑ°Α ΑΕΖΑΕΑ ΨAvΑe (Α.CA. ΑA.UΑv/2UΕ)

## 12. ΠΑ°ΑUΑΨ Ε`ΑΣΕ

1. °ΑUι j f,θi
2. rΨΑfmj j f,θi
3. °~i j f,θi (ΠΑmΑΒU,ið)
4. °~i j f,θi («Α,Α ΑαΑiΑ,i)
5. αΑΑAUqAJ f,θi
6. ΠΑqυi ΣΑΠi j f,θi
7. ΕUβΑ,θΡΑ j f,θi
8. M¼ΕΕΑΖΑtΑ j f,θi
9. °ΕgΕΕΑΖΑtΑ j f,θi
10. °.Ψ.N j f,θi
11. n.r.J,i. j f,θi
12. °~i ΨΑ°ΑUι j f,θi
13. «`ΑvΑΑiΑ DzÁ±Α j f,θi
14. °ΕΑΖΑtΡÉ j f,θi



- 15. aAAµbUI® PÄj vÄ PqMÄ
- 16. aIA'PA 'SAC aµkUMÄ PqMÄ

14. PÄACÄAiÄvgÄÄw PÄAzæ -

- 1. vga'Äw PÄAzæ 'SAC ,Ä'Ä ZÄR-UMÄ
- 2. E-ASÄ aÄARä,µkEACUE ¥Mæ PÄ ÄgÄ PqMÄÄ
- 3. «'ÄUP ÄgÄ ¥Mæ PÄ ÄgÄ PqMUMÄ
- 4. «µAiÄ'ÄgÄ vga'Äw PqMUMÄ.
- 5. vga'Äw PÄAzæ 'SAC aÄAdÄgÄw, aUÄö'ÄuÉ - ©qÄUÜqÉ DzÄ±Ä PqMÄ
- 6. ««ZÄ vga'Äw ,Ä ,UMÄ ¥Mæ PÄ ÄgUMÄ PqMÄ
- 7. aÄÄAUÜqÄ °It x'Äö'ÄuÄ PqMÄ
- 8. ,Ä'Äd'ÄPÄ SÄ ,M C'ÄyöUÜAZÄ 'ÄPÄPÄ ÄZÄ 'ÄRPÉ °ÄARUMÄ «-Ä'Äj PqMÄ
- 9. ,ÄvÄÄ-UMÄ PqMÄ
- 10. EvgÉ ,Ä'ÄÄÄ PqMUMÄ
- 11. aÄ»¼Ä 'SACUMÄ vÄEzÄgÄiÄ PÄj vÄ zÄEgÄ PqMÄ
- 12. EPÄÄEÉ - 15 ¥Ä ,PÄ
- 13. EvgÉ ,Ä'ÄÄÄ PqMUMÄ
- 14. EPÄÄEÉ - 5 gÄ PqMÄ
- 15. aÄ°EUMÄ -ÄUA ¥Ä ,PÄ
- 16. EPÄÄEÉ - 12 gÄ PqMÄ

10. xUÄZÄZÄR-ÜÄÄKTUÜÄEÄMÜxÄö'ÄÉ

xUPÄZÄ'Ä ,Ä ,ÄvæÄvÄÜ ¥j uÄ'ÄPÄj PÄAiÄöxÄö'ÄuÉ ,PÄ'ÄV ,Ä ,ÄiÄ ZÄR-ÄwUMÄ ,PÄ¥DPA ,AgPÜÉ aÄvÄÜ xÄö'ÄuÉ CvÄvÄ aÄöMzÄ «µAiÄ'ÄvgÄvZÉ F GzÄ±ÄZÄ ,Ä ,ÄiÄ'Ä°è xÄö'Ä» ,ÄÄUÄ'Ä ZÄR-ÄwUMÄÄB «AUÜqÜÉ aÄÄqÄ'ÄÄ ¥zÄw, ±ÄSÉ-ÄAZÄ ±ÄSÜÉ aÄvÄÜ ZÄR-Äw PÄEÖrÜÉ PqMUMÄ ZÄ°EÉ ¥zÄw, °ÄÄiÄ PqMUR® «-Ä'Äj ¥zÄw aÄvÄÜ ZÄR-Äw PÄEÖr xÄö'ÄuÉ PÄj vÄ xUPÄZÄPÉ ,Ä'ÄÄÄ ,ÄÜ-Ä DzÄ±Ä ,ÄSÄ : 250 CEÄAPÄ : 08.06.1978 gPÉ °gÄ ,ÄÄVZÄ, ¥ÄÄÄ CEÄµÄÄzP gÄvZÉ ,zj ,ÄÜ-Ä DzÄ±ÄÄiÄ xUPÄZÄ ZÄR-ÄwUMÄÄB 5 aÜDUMÄÄV F P¼PÄqÄVÉ «AUÜ ,ÄÄVZÉ

- 1. J-aÜö F ZÄR-ÄwUMÄÄB SÄAiÄ ZÄR-UMÄV ,AgÜÉ ,Ä'ÄPÄ.
- 2. ©-aÜö F ZÄR-ÄwUMÄÄB 30 aµDUMÄPÜÉ ,AgÜÉ ,Ä'ÄPÄ.
- 3. 1-aÜö F ZÄR-ÄwUMÄÄB 10 aµDUMÄPÜÉ ,AgÜÉ ,Ä'ÄPÄ.
- 4. r-aÜö F ZÄR-ÄwUMÄÄB 05 aµDUMÄPÜÉ ,AgÜÉ ,Ä'ÄPÄ.
- 5. E-aÜö F ZÄR-ÄwUMÄÄB -PÄMæDrmí aÄÄr 'ÄPj 'ZÄ EÄvga EÄ±Är ,S°ÄZÄVZÉ





<sup>a</sup>niÁ»wAiÁEÁAB F ∝ SzÁEÉAiÁÁ ¥Aj ZÉÁZÁ(1)gÁ G¥Á∝ SzÁEÉ 7 gÁ°è MzÁV, Á®Á, <sup>a</sup>niÁ»wAiÁÁÁ ÁE¥ÁI, AiÉEÁdEÉ, <sup>a</sup>AgÁÇ, PÁqÁvÁZÁ ÁUA CxÁ<sup>a</sup>Á AiÁiÁ<sup>a</sup>ÁZÉÁ vÁAwPA <sup>a</sup>niÁ»w CxÁ<sup>a</sup>Á EÁ<sup>a</sup>ÁEÉÉ CxÁ<sup>a</sup>Á <sup>a</sup>niÁZÁj UÁVÁVZÁ<sup>o</sup> è ¥Áwv, ÁAzÁ ÁÖZÁ°è ÁA, ÉUÉ <sup>a</sup>niÁ»w MzÁV, Á®Á CUÁvÁá«gÁÁ<sup>a</sup> PÁ«ÁÖPÁgÁ <sup>a</sup>ÁvÁÁU, ÁgÁPÁÁ <sup>a</sup>EZÁUÁVÁ DzÁÁgÁZÁ <sup>a</sup>EÁÁ-É Á<sup>a</sup>Áöd∝PÁ <sup>a</sup>niÁ»w CÇPÁj AiÁÁ<sup>a</sup>ÁgÁÁ EÁÁAiÁÁAiÁÁvÁ<sup>a</sup>ÁZÁ ±ÁÁ®PÁEÁÁB ∝ UÁÇü¥Ár, ÁÁ<sup>a</sup>ÁZÁÁ.

<sup>a</sup>niÁOÁiÁÁÁ CFÖAiÉEÁÇUÉ ¥ÁgÁÁÇPÁ ±ÁÁ®PÁEÁÁB ∝ AiÁÁ<sup>a</sup>ÁÁ 4(1)gÁrAiÁÁ°è ∝Ár zÁR-É, PÁqÁvÁUÁVÁEÁÁB Á«ÁÁQéÁ®Á <sup>a</sup>EZÁ°EÉAiÁÁ MAZÁÁ UÁAmÉÁiÁÁ C<sup>a</sup>ÁÇUÉ AiÁiÁ<sup>a</sup>ÁZÉÁ ±ÁÁ®I «ÇüÁ-ÁUÁÁ<sup>a</sup>ÁZÁ<sup>o</sup>è DEÁAvÁgÁZÁ ¥Áwv °EÁEÁ CzÁÖ UÁAmÉUÉ CxÁ<sup>a</sup>Á CzÁgÁ ÁUAÁ±ÁPÉI gÁE 20 gÁAvÉ ±ÁÁ®I «ÇüÁÁ<sup>a</sup>ÁZÁÁ. PÉ® ÁUÁVÁEÁÁB ¥Aj ÁÁQéÁ®Á ¥ÁgÁÁÇPÁ ±ÁÁ®EÉEÁÇUÉ CUÁvÁá«gÁÁ<sup>a</sup> PÁ«ÁÖPÁgÁ <sup>a</sup>ÁvÁÁU, ÁgÁPÁÁ <sup>a</sup>EZÁUÁVÁ DzÁÁgÁZÁ <sup>a</sup>EÁÁ-É Á<sup>a</sup>Áöd∝PÁ <sup>a</sup>niÁ»w CÇPÁj AiÁÁ<sup>a</sup>ÁgÁÁ EÁÁAiÁÁAiÁÁvÁ<sup>a</sup>ÁZÁ ±ÁÁ®PÁEÁÁB ∝ UÁÇü¥Ár, ÁÁ<sup>a</sup>ÁZÁÁ.

<sup>a</sup>niÁ»wAiÁEÁAB F ∝ SzÁEÉAiÁÁ ¥Aj ZÉÁZÁ(5)gÁ G¥Á∝ SzÁEÉ 7 gÁ°è MzÁV, Á®Á, <sup>a</sup>niÁ»wAiÁEÁAB r, iI CxÁ<sup>a</sup>Á ¥Áé; CxÁ<sup>a</sup>Á 1.r. CxÁ<sup>a</sup>Á AiÁiÁ<sup>a</sup>ÁZÉÁ «ZÁÁEÁEÁ «ZÁEÁZÁ <sup>a</sup>ÁEÁ®PÁ ∝ ÁqÁ®Á gÁE 50/-gÁ ±ÁÁ®PÁEÁÁB «ÇüÁ-ÁUÁÁ<sup>a</sup>ÁZÁÁ.

∝ UÁÇüÁ ±ÁÁ®PÁEÁÁB Á<sup>a</sup>Áöd∝PÁ <sup>a</sup>niÁ»w CÇPÁj AiÁÁ<sup>a</sup>ÁgÁÁ °E, Áj UÉ vÉUÉÁÁ-ÁZÁ ÁÁgÁwÁÁÁ ¥EÁÁ, ÁÖi Dqi Ögi, CxÁ<sup>a</sup>Á r.r CxÁ<sup>a</sup>Á ÁÁAPÁgi i ZÉPi CxÁ<sup>a</sup>Á ¥EÁ Dqi Ögi CxÁ<sup>a</sup>Á ÉAUÁZÁV CxÁ<sup>a</sup>Á ÁA, ÉUÁÁ ÁEPÁ ¥ÁvÁÁE-ÁSEÁiÁÁ°è d<sup>a</sup>ÁÁ <sup>a</sup>niÁqÁÁ<sup>a</sup>Á <sup>a</sup>ÁEÁ®PÁ Á°è ÁÁ<sup>a</sup>ÁZÁÁ.

<sup>a</sup>niÁOÁiÁÁÁ F ∝ SzÁEÉAiÁÁ ¥Aj ZÉÁZÁ(5)gÁ G¥Á∝ SzÁEÉ 7 gÁrAiÁÁ°è «EÁ-Áw ¥ÁqEÁÁÁÁÁZÁZÁgÉ C<sup>a</sup>ÁEÁÁ/C<sup>a</sup>ÁVÁÁ SqÁvÁEÁ gÉÁSEVÁvÁ PÉVÁVgÁÁ<sup>a</sup>Á SUEÁ, ÁEPÁU ¥ÁÇPÁj AiÁÁ<sup>a</sup>ÁgÁÁ ∝ ÁrgÁÁ<sup>a</sup>Á EÁÁAiÁÁ ÁÁÁÁvÁ<sup>a</sup>ÁZÁ ZÁEÁPÁgÁt ¥ÁvÁÁEÁÁB Á°è ÁÁ<sup>a</sup>ÁZÁÁ.

D. ÉPÁEi 19gÁ G¥Á ÉPÁEi (1)gÁ <sup>a</sup>EÁ®ÁEÁ«:

1. ∝ AiÁÁ<sup>a</sup>ÁÁ 19gÁ G¥Á ∝ AiÁÁ<sup>a</sup>ÁÁ(1)gÁEÁiÁÁ Á<sup>a</sup>Áöd∝PÁ ¥ÁÇPÁgÁ<sup>a</sup>ÁÁ <sup>a</sup>EÁÁ®Á« ∝ AiÁEÁÁB AiÁiÁj UÉ ∝ UÁÇ ¥Ár, Á<sup>a</sup>EÁPÉASÁZÁEÁÁB ÁEÁ 1gÁÁvÁZÉ.
2. <sup>a</sup>EÁÁ®ÁEÁ«AiÁÁ°è DzÉÁ±ÁZÁ ¥Áwv <sup>a</sup>ÁvÁÁU AiÁiÁgÁ «gÁÁZÁY JASÁZÁgÁ eÉEÉvÉUÉ Á<sup>a</sup>Áöd∝PÁ ¥ÁÇPÁj AiÁÁ<sup>a</sup>ÁgÁÁ ÁA¥ÁE tÖ «ÁgÁUÁVÁÁ °ÁUÁE <sup>a</sup>EÁÁ®ÁEÁ« Á°è gÁÁ<sup>a</sup>Á CFÖZÁgÁEÁ °E, ÁgÁÁ <sup>a</sup>ÁvÁÁU «ÁÁ, Á.
3. Á<sup>a</sup>Áöd∝PÁ ÁA¥ÁPÁÖÇPÁj AiÁÁ<sup>a</sup>ÁgÁÁ «gÁÁZÁY EzÁY ¥ÁPÁZÁ°è <sup>a</sup>EÁÁ®ÁEÁ«AiÁÁ DzÉÁ±ÁZÁ 1 ÁPÁEw ÇEÁAPA.
4. <sup>a</sup>EÁÁ®ÁEÁ«AiÁÁ »EÉB-É
5. <sup>a</sup>EÁÁ®ÁEÁ«ZÁgÁgÁ °ÁPÁÁi ÁZÁÁvÉAiÁÁ ¥Aj °ÁgÁ
6. ÉPÁEi 19gÁ G¥Á ÉPÁEi (1)gÁEÁiÁÁ <sup>a</sup>EÁÁ®ÁEÁ« ¥ÁÇPÁgÁ<sup>a</sup>ÁÁ <sup>a</sup>EÁÁ®ÁEÁ« «ZÁgÁUÉUÉ MAZÁÁ ÇEÁAPAÁEÁÁB ∝ UÁÇ ¥Ár, ÁÁvÁZÉ. <sup>a</sup>EÁÁ®ÁEÁ«AiÁÁ «ZÁgÁUÉUÉ ∝ UÁÇ ¥Ár 1gÁÁ<sup>a</sup>Á ÇEÁAPAZÁZÁÁ EÁqEÁiÁÁÇZÁ<sup>o</sup>è <sup>a</sup>EÁÁ®ÁEÁ« ¥ÁÇPÁgÁ<sup>a</sup>ÁÁ «ZÁgÁUÉAiÁÁEÁÁB JgÁqÁÁ ¥ÁPÁZÁÁgÉEÁÇUÉ ÁÁiÁÁ-ÉEÁÁ 1 AiÉEÁUÁÁÁVZÁ<sup>o</sup>è CzÁEÁÁB ÁÁÁÁÇEÁ ÇEÁAPAPEI ∝ UÁÇ ¥Ár, ÁÁvÁZÉ.

15. Á<sup>a</sup> Áöd∝PÁ<sup>a</sup> ÁÁ»w CÇPÁj AiÁÁ<sup>a</sup> ÁgÁÁvÁÁ  
MAZÉA <sup>a</sup>ÁÁ®ÁE« ¥ÁÇPÁgÁg «<sup>a</sup>g.

ÁÁgÁÁ PÁÖgPÁ <sup>a</sup>niÁ»w °PÁI CÇPÁiÁÁ<sup>a</sup>Á PÁÁiÁY 2005 ÉÁB eÁj UÉE½¹, CzÁ j Áw PÉÁÖI PÁ PÁÖgPÁ 7-7-2005 gÁZÁ PÉÁÖI PÁ °PÁI ¥ÁvÁÁE éÁj UÉE½¹ZÉ







			gAPAPA/ A°AAAPPA	
22	PÁ <sup>a</sup> NUAj GyA « <sup>o</sup> ÁUA PÁ <sup>o</sup> SÁgAV	A°AAAPPA C <sup>o</sup> AAAvAgAgAA/ ÉPAI ¥AvkeCCAPAPAgAA	Qj AIA C <sup>o</sup> AAAvAgAgAA/ Qj AIA A°AAAPPA PAA- qÁ-J-D	PAAIAO x <sup>a</sup> Á <sup>o</sup> IPA C <sup>o</sup> AAAvAgAgAA
23	PÁ <sup>a</sup> NUAj GyA « <sup>o</sup> ÁUA S¼Áj	A°AAAPPA C <sup>o</sup> AAAvAgAgAA/ ÉPAI ¥AvkeCCAPAPAgAA	Qj AIA C <sup>o</sup> AAAvAgAgAA/ Qj AIA A°AAAPPA PAA-qÁ-J-D	PAAIAO x <sup>a</sup> Á <sup>o</sup> IPA C <sup>o</sup> AAAvAgAgAA
24	¥AzÉA <sup>2</sup> PA vAgA <sup>o</sup> ÉAw PEAAzke <sup>o</sup> AA <sup>a</sup> AEÁ <sup>o</sup> ÁzA	A°AAAPPA AAZÁgA CCAPAPA/ A°AAAPPA PÁgÁáCÁPIPA/ ¥AgAA¥AvEIAgA	Qj AIA A°AAAPPA PAA- qÁ-J-D	¥AzA <sup>±</sup> AA¥Á <sup>o</sup> gAA
25	ZÁ <sup>o</sup> PIgA vAgA <sup>o</sup> ÉAw PEAAzke <sup>o</sup> NUAj <sup>o</sup> ÉE <sup>a</sup> AAáE <sup>o</sup> AVzi	A°AAAPPA AAZÁgA CCAPAPA/ A°AAAPPA PÁgÁáCÁPIPA/ ¥AgAA¥AvEIAgA	Qj AIA A°AAAPPA PAA- qÁ-J-D	¥AzA <sup>±</sup> AA¥Á <sup>o</sup> gAA







# UAA®SUÁÐ «`ÁUA-2

PÁZÁÁ ÁASÉá	Á <sup>a</sup> lðd <sup>α</sup> PA ¥Á@PÁgÁ,	Á <sup>a</sup> lðd <sup>α</sup> PA <sup>a</sup> NIÁ»w C@PÁj, °É <sub>ÁgÁÁ</sub> , °ÁZÉY PÁBÉÁj «¼Á <sub>Á</sub> , zÁVEgÁ <sup>a</sup> ÁtÁ/¥ÁÁPI i <sup>a</sup> ÉÉ <sup>í</sup> ÁASÉá/ F - <sup>a</sup> ÉÁÁ <sup>í</sup> «¼Á <sub>Á</sub>	Á°ÁÁÁÁPA Á <sup>a</sup> lðd <sup>α</sup> PA <sup>a</sup> NIÁ»w C@PÁj, °É <sub>ÁgÁÁ</sub> , zÁVEgÁ <sup>a</sup> ÁtÁ/ ¥ÁÁPI i <sup>a</sup> ÉÉ <sup>í</sup> ÁASÉá/ F - <sup>a</sup> ÉÁÁ <sup>í</sup> «¼Á <sub>Á</sub>	°ÉZÁ <sup>°</sup> ÉÉÁÁÁ C <sup>í</sup> Á <sup>°</sup> Á ¥Á@PÁgÁ, °É <sub>ÁgÁÁ</sub> , °ÁZÉY PÁBÉÁj «¼Á <sub>Á</sub> , zÁVEgÁ <sup>a</sup> ÁtÁ/ ¥ÁÁPI i <sup>a</sup> ÉÉ <sup>í</sup> ÁASÉá/ F - <sup>a</sup> ÉÁÁ <sup>í</sup> «¼Á <sub>Á</sub>
01	Á.PÁÉÁÉÉÁÁ C@PÁj, F PÁgÁ, Á <sub>Á</sub> , ÉU «`ÁVÁÁÁÁ PÁBÉÁj, UAA®SUÁÐ «`ÁUA-2.	ZÁ. J <sup>a</sup> NI <sup>í</sup> .J. eÁ <sup>a</sup> fÁZi, Á.PÁÉÁÉÉÁÁ C@PÁj, «`ÁVÁÁÁÁ PÁBÉÁj, UAA®SUÁÐ «`ÁUA-2. <sup>a</sup> ÉÉ: 9663099881 zÁE:08472-262933	ZÁ. zÉÁ <sup>a</sup> ÁgÁd Á.DqÁ <sup>v</sup> Á@PÁj F PÁgÁ, Á <sub>Á</sub> , ÉU «`ÁVÁÁÁÁ PÁBÉÁj UAA®SUÁÐ «`ÁUA-2. <sup>a</sup> ÉÉ:7760566880, zÁE:08472-262933	ZÁ. ZÁ.PÉÁÉÉÉÁÁ «`ÁVÁÁÁÁ ÁÁÁÁVÁÁÁ@PÁj <sup>a</sup> ÉÉ: 7760992047 zÁE: 08472-262933
02	WAI PA <sup>a</sup> Á <sup>a</sup> Á, Á@PÁgÁÁ F PÁgÁ, Á <sub>Á</sub> , ÉU UAA®SUÁÐ WAI PA-2	ZÁ. <sup>a</sup> ÁÁAdÁÉÁXÁ, WAI PA <sup>a</sup> Á <sup>a</sup> Á, Á@PÁgÁÁ, UAA®SUÁÐ WAI PA-2, <sup>a</sup> ÉÉ: 7760992114, zÁE:08472- 250304	-	- <sup>a</sup> ÉÁÁ <sup>°</sup> ÉÁÁVÉ -
03	WAI PA <sup>a</sup> Á <sup>a</sup> Á, Á@PÁgÁÁ F PÁgÁ, Á <sub>Á</sub> , ÉU UAA®SUÁÐ WAI PA-3	ZÁ. ±ÉÁSI °ÁÁ ÉÁÉI WAI PA <sup>a</sup> Á <sup>a</sup> Á, Á@PÁgÁÁ, UAA®SUÁÐ WAI PA-3 <sup>a</sup> ÉÉ: 7760992115, zÁE:08472-250269	-	- <sup>a</sup> ÉÁÁ <sup>°</sup> ÉÁÁVÉ -
04	WAI PA <sup>a</sup> Á <sup>a</sup> Á, Á@PÁgÁÁ F PÁgÁ, Á <sub>Á</sub> , ÉU D¼ÁAZÁ WAI PA	ZÁ.PÉ. J <sup>í</sup> . ZÁAZÁÉÁRgÁÁ, WAI PA <sup>a</sup> Á <sup>a</sup> Á, Á@PÁgÁÁ, D¼ÁAZÁ WAI PA <sup>a</sup> ÉÉ: 7760992116, zÁE: 202677	-	- <sup>a</sup> ÉÁÁ <sup>°</sup> ÉÁÁVÉ -
05	WAI PA <sup>a</sup> Á <sup>a</sup> Á, Á@PÁgÁÁ F PÁgÁ, Á <sub>Á</sub> , ÉU eÉÁ <sup>a</sup> ÁVÖ WAI PA	ZÁ. ¥ÁÁÁÁÁ ÁÁÁÁÉÁVÁ, WAI PA <sup>a</sup> Á <sup>a</sup> Á, Á@PÁgÁÁ, eÉÁ <sup>a</sup> ÁVÖ WAI PA <sup>a</sup> ÉÉ: 7760992118	-	- <sup>a</sup> ÉÁÁ <sup>°</sup> ÉÁÁVÉ -
06	WAI PA <sup>a</sup> Á <sup>a</sup> Á, Á@PÁgÁÁ F PÁgÁ, Á <sub>Á</sub> , ÉU C¥Ád <sup>í</sup> ¥ÁÁEgÁ WAI PA	ZÁ. ±ÉÁÁÁ <sup>a</sup> ÁÁÉWÖ WAI PA <sup>a</sup> Á <sup>a</sup> Á, Á@PÁgÁÁ(¥ÁÁ), C¥Ád <sup>í</sup> ¥ÁÁEgÁ WAI PA <sup>a</sup> ÉÉ: 7760992121	-	- <sup>a</sup> ÉÁÁ <sup>°</sup> ÉÁÁVÉ -





		depot.manager1@gmail.com		
3	« ÁVÁÁÁÁ ¼ÁÁÁÁvÁÁÁÁÇPÁj F PÁgÁ, Á, ÁÁ, Éj gÁÁÁÁZÁÁgÁÁ	ªÁÁ°ÁZÉÁªÁ Á&ªÁ, WAI PÁ ªÁªªÁ, ÁªPÁgÁÁ, gÁÁÁÁZÁÁgÁÁ WAI PÁ-2 zÁE:08532-223185, ªÉE: 7760992363, E-ªÉÁÁ-í: dm.rch2@gmail.com	gÁÁUÁÉÁxí, 1SÁÇ ªÉÁÁ°ZÁgÁPÁ, ªÉE: 9845383372	-do-
4	« ÁVÁÁÁÁ ¼ÁÁÁÁvÁÁÁÁÇPÁj F PÁgÁ, Á, ÁÁ, Éj gÁÁÁÁZÁÁgÁÁ	¥ÁÁÁ±í.Ç.ZÉEgÁÁªÁª, WAI PÁ ªÁªªÁ, ÁªPÁgÁÁ, °AUÁ, ÁÉjÁÁ WAI PÁ zÁE: 08537- 257233, ªÉE:7760992365, E-ªÉÁÁ-í: <a href="mailto:dmlgsr@rediffmail.com">dmlgsr@rediffmail.com</a>	ÁÁFÁªí PÁÁ°NÁgí, Qj ÁÁÁ Á°ÁÁÁPÁ, ªÉE: 8123751537	-do-
5	« ÁVÁÁÁÁ ¼ÁÁÁÁvÁÁÁÁÇPÁj F PÁgÁ, Á, ÁÁ, Éj gÁÁÁÁZÁÁgÁÁ	1ZÁÁÁ WAI PÁ ªÁªªÁ, ÁªPÁgÁÁ, 1AzÁÉÁEgÁÁ WAI PÁ zÁE: 08535-220070, ªÉE: 7760992366 E-ªÉÁÁ-í: <a href="mailto:sndnekrctc@gmail.com">sndnekrctc@gmail.com</a>	ªÉÁPÉÁÉÁ Qj ÁÁÁ Á°ÁÁÁPÁ, ªÉE: 9900337887	-do-
6	« ÁVÁÁÁÁ ¼ÁÁÁÁvÁÁÁÁÇPÁj F PÁgÁ, Á, ÁÁ, Éj gÁÁÁÁZÁÁgÁÁ	ªÁÁÉí Ç°, WAI PÁ ªÁªªÁ, ÁªPÁgÁÁ, zÉÁªZÁÁUÁÖ WAI PÁ, zÁE: 08531-260107, ªÉE: 7760992368 E-ªÉÁÁ-í: dmddg@yahoo.com	ÇSÁíí °ÁÁÉÁÉí, Qj ÁÁÁ Á°ÁÁÁPÁ, ªÉE: 9035749570	-do-
7	« ÁVÁÁÁÁ ¼ÁÁÁÁvÁÁÁÁÇPÁj F PÁgÁ, Á, ÁÁ, Éj gÁÁÁÁZÁÁgÁÁ	F.Dgí.zÁÁÁÁÉÁÁZí, WAI PÁ ªÁªªÁ, ÁªPÁgÁÁ, ªÁÁÉÁª« WAI PÁ zÁE: 08538-220577, ªÉE: 7760992367 E-ªÉÁÁ-í: managermrv@gmail.com	gÁÁÁÁZÁÁ, í, 1SÁÇ ªÉÁÁ°ZÁgÁPÁ, ªÉE: 9449233888	-do-
8	« ÁVÁÁÁÁ ¼ÁÁÁÁvÁÁÁÁÇPÁj F PÁgÁ, Á, ÁÁ, Éj gÁÁÁÁZÁÁgÁÁ	Dgí .J í.gÁªª ÁÁPÁgí WAI PÁ ªÁªªÁ, ÁªPÁgÁÁ, ªÁÁ1í WAI PÁ zÁE: 08537-202299, ªÉE: 7760992361, E-ªÉÁÁ-í: dmmaski@gmail.com	Á-ÁÁÉj 1SÁÇ ªÉÁÁ°ZÁgÁPÁ, ªÉE: 9449280012,	-do-
9	« ÁVÁÁÁÁ ¼ÁÁÁÁvÁÁÁÁÇPÁj F PÁgÁ, Á, ÁÁ, Éj gÁÁÁÁZÁÁgÁÁ	¥Á ÁÇª°ÁwÖ, « ÁVÁÁÁÁ PÁÁÁÁÖUÁgÁ ÇÇÁPÁgÁÁ, zÉE: 08532-223998 ªÉE: 9663457788 E-ªÉÁÁ-í: dme_rch@rediffmail.com	í ÁgÉÁÉÁç, Qj ÁÁÁ Á°ÁÁÁPÁ, ªÉE: 9342688843,	-do-

# S/Aj « 'AUA

PloA	A°DdPI ¥AOPAgI	A°DdPI aIA»w CCPAj °EgA, °AzI PblAj «¼A, A zIEgP AtA /¥APii aE'É-i ASÍ/F - aIA-i «¼A, A	P AAIPI A°DdPI aIA»w CCPAj	°EZ°EAI aIA°E« ¥AOPAgI Iga, °EgA, °AzI PblAj «¼A, A zIEgP AtA /¥APii aE'É-i ASÍ/F - aIA-i «¼A, A
1	« 'AVAAiA vAAWPA: 2°a F.PlgA, A, A, É .p	2AeJ, i.J, i.ZA°gAei « 'AVAAiA vAAWPA: 2°a F.PlgA, A, A, É S/Aj - 1 EA Wl PA S/Aj . zIEgP AtA, A.7760992151 <a href="mailto:dmebellary@yahoo.in">dmebellary@yahoo.in</a>	P AAIPIKO, APA, qA, J .C. F.PlgA, A, A, É « 'AVAAiA PblAj	2AeJ, i.Dgi.ZAZhARgI « 'AVAAiA aIAvIbA CPAj F.PlgA, A, A, É « 'AVAAiA PblAj, 1gAU¥a gI S/Aj . zIEgP AtA, A.7760992150 ¥APii, A.08392-267060 <a href="mailto:dcblr.nekrtc@gmail.com">dcblr.nekrtc@gmail.com</a>
2	AZAgI (aIAUv/MSA ±ASÍ M¼UEAqAVÉ	2Ae Dgi.J, i.UÉ, i aE»CÁEi « 'AVAAiA AZAgI CCPAj F.PlgA, A, A, É zIEgP AtA - 7760992152 <a href="mailto:dtobl@yahoo.com">dtobl@yahoo.com</a>	A, A. aV, A, A. CCAPP A. aj APPA F.PlgA, A, A, É « 'AVAAiA PblAj	2AeJ, i.Dgi.ZAZhARgI « 'AVAAiA aIAvIbA CPAj F.PlgA, A, A, É « 'AVAAiA PblAj, 1gAU¥a gI S/Aj . zIEgP AtA, A.7760992150 ¥APii, A.08392-267060 <a href="mailto:dcblr.nekrtc@gmail.com">dcblr.nekrtc@gmail.com</a>
3	Dq/vI («. a. UIA DYI 2 AU 1SAC ±ASÍ M¼UEAqAVÉ F.PlgA, A, A, É . « 'AVAAiA PblAj S/Aj	2AeJ, i.UAgA±AAV P AAIPI DqVACP Aj F.PlgA, A, A, É zIEgP AtA, A 7760992153 <a href="mailto:aaobl.nekrtc@yahoo.com">aaobl.nekrtc@yahoo.com</a>	1SAC CCAPP aIA°ZAgPA F.PlgA, A, A, É « 'AVAAiA PblAj	2AeJ, i.Dgi.ZAZhARgI « 'AVAAiA aIAvIbA CPAj F.PlgA, A, A, É « 'AVAAiA PblAj, 1gAU¥a gI S/Aj . zIEgP AtA, A.7760992150 ¥APii, A.08392-267060 <a href="mailto:dcblr.nekrtc@gmail.com">dcblr.nekrtc@gmail.com</a>
4	CAO ASÍ ±ASÍ F.PlgA, A, A, É . « 'AVAAiA PblAj S/Aj	2AeJ, i.UAgA±AAV P AAIPI CAO ASACP Aj (¥EAg) F.PlgA, A, A, É zIEgP AtA, A-7760992160 statnekrtcblr@gmail	CAO CA±A aIA°ZAgPA CAO CA±A P AAIPI F.PlgA, A, A, É « 'AVAAiA PblAj	2AeJ, i.Dgi.ZAZhARgI « 'AVAAiA aIAvIbA CPAj F.PlgA, A, A, É « 'AVAAiA PblAj, 1gAU¥a gI S/Aj . zIEgP AtA, A.7760992150 ¥APii, A.08392-267060 <a href="mailto:dcblr.nekrtc@gmail.com">dcblr.nekrtc@gmail.com</a>
5	PÁEKEA ±ASÍ F.PlgA, A, A, É . « 'AVAAiA PblAj S/Aj	2Ae Zi. ©. ° AUGAdA P AAIPI PÁEKEA CCPAj F.PlgA, A, A, É « 'AVAAiA PblAj 1gAU¥a gI S/Aj zIEgP AtA, A-7760992158 <a href="mailto:alo.nekrtcblr@gmail.com">alo.nekrtcblr@gmail.com</a>	P AAIPIKO, APA, qA, J .D. F.PlgA, A, A, É « 'AVAAiA PblAj S/Aj .	2AeJ, i.Dgi.ZAZhARgI « 'AVAAiA aIAvIbA CPAj F.PlgA, A, A, É « 'AVAAiA PblAj, 1gAU¥a gI S/Aj . zIEgP AtA, A.7760992150 ¥APii, A.08392-267060 <a href="mailto:dcblr.nekrtc@gmail.com">dcblr.nekrtc@gmail.com</a>
6	PA«AOP ±ASÍ F.PlgA, A, A, É . « 'AVAAiA PblAj	2Ae Zi. ©. ° AUGAdA PA«AOP P At CCPAj (¥EAg) F.PlgA, A, A, É « 'AVAAiA PblAj 1gAU¥a gI S/Aj	P AAIPIKO, APA, qA, J .D. F.PlgA, A, A, É « 'AVAAiA PblAj	2AeJ, i.Dgi.ZAZhARgI « 'AVAAiA aIAvIbA CPAj F.PlgA, A, A, É « 'AVAAiA



















06	<p>WAI PA a<sup>aa</sup>A, A<sup>aa</sup>PAgAA  a<sup>EE</sup>: 7760992267  zA<sup>E</sup>: 08352-220187  <a href="mailto:dmnekrctmuddebihal@rediff.com">dmnekrctmuddebihal@rediff.com</a></p>	- a <sup>EE</sup> ° EAAVÉ -	- a <sup>EE</sup> ° EAAVÉ -
07	<p>WAI PA a<sup>aa</sup>A, A<sup>aa</sup>PAgAA  a<sup>EE</sup>: 7760992269  zA<sup>E</sup>: 08352-200240  E-  a<sup>EE</sup>°i : <a href="mailto:dmnekrctbgd@rediff.com">dmnekrctbgd@rediff.com</a></p>	- a <sup>EE</sup> ° EAAVÉ -	-
08	<p>WAI PA a<sup>aa</sup>A, A<sup>aa</sup>PAgAA  a<sup>EE</sup>: 7760992268  zA<sup>E</sup>: 08352-267437  E- a<sup>EE</sup>°i : <a href="mailto:dmnekrct@rediff.com">dmnekrct@rediff.com</a></p>	- a <sup>EE</sup> ° EAAVÉ -	- a <sup>EE</sup> ° EAAVÉ -

### °EAE AYÉAI « 'ÁUA

PAE AA	Á <sup>aa</sup> od <sup>aa</sup> PA ¥Á <sup>aa</sup> PAj UAVA PAbÉAj UAVA «¼Á, A	Á <sup>aa</sup> od <sup>aa</sup> PA a <sup>aa</sup> »w C <sup>aa</sup> PAj	Á <sup>aa</sup> od <sup>aa</sup> PA a <sup>aa</sup> »w C <sup>aa</sup> PAj	a <sup>EE</sup> zA <sup>aa</sup> EEA <sup>aa</sup> a <sup>EE</sup> °EAA <sup>aa</sup> « ¥Á <sup>aa</sup> PAjgA
1	<p>PÁEAE<sup>aa</sup>±ÁSE,  «.PAbÉAj  F.PA.gA, Á, AA, Eij  °EAE, AYÉAmÉ « 'ÁUA</p>	<p>zÁ a<sup>aa</sup>AdÁEÁxÁ.Dgi .  Á<sup>aa</sup>od<sup>aa</sup>PA PÁEAE<sup>aa</sup> C<sup>aa</sup>PAj  a<sup>EE</sup>:7760992304  Email.Id:  alonekrtchospet@gmail.com</p>	<p>zÁ.S, Á<sup>aa</sup>Ad.PE.  a<sup>EE</sup>:7760992304  Email.Id:  alonekrtchospet@gmail.com</p>	<p>zÁ eE. a<sup>EE</sup>°kazi ¥Eei  « 'ÁVÁÁÁÁ  a<sup>aa</sup>od<sup>aa</sup>PAvÁ<sup>aa</sup>C<sup>aa</sup>PAj ,  °EAE, AYÉAmÉ « 'ÁUA,  °EAE, AYÉAmÉ  a<sup>EE</sup>:7760992300  ¥Á<sup>aa</sup>PAj i ,AA.08394-  226142  Email.Id:  dchospet@gmail.com</p>
2	<p>'SAC ±ÁSE,  «.PAbÉAj  F.PA.gA, Á, AA, Eij  °EAE, AYÉAmÉ « 'ÁUA</p>	<p>zÁ gÁE<sup>aa</sup>zÁDgi .JA.  Á<sup>aa</sup>od<sup>aa</sup>PA  DgÁ<sup>aa</sup>vÁ<sup>aa</sup>C<sup>aa</sup>PAj  a<sup>EE</sup>:7760992303  Email.Id:  rajendra rm4@gmail.com</p>	<p>zÁ ÁA<sup>aa</sup>FÁ<sup>aa</sup>Á<sup>aa</sup>EwD. 'SAC  C<sup>aa</sup>PAj  a<sup>EE</sup>:7760992303  Email.Id:  rajendra rm4@gmail.com</p>	- a <sup>EE</sup> ° EAAVÉ -
3	<p>ÁzÁ<sup>aa</sup>±ÁSE,  «.PAbÉAj  F.PA.gA, Á, AA, Eij  °EAE, AYÉAmÉ « 'ÁUA</p>	<p>zÁ «ÁgÁ ÁzÁ<sup>aa</sup>PAÁÁ Áj  ÁzÁ<sup>aa</sup> a<sup>aa</sup>vÁ<sup>aa</sup>Á<sup>aa</sup>vÁ<sup>aa</sup>C<sup>aa</sup>PAj  a<sup>EE</sup>:7760992307  Email.Id:  svohsp@gmail.com</p>	<p>zÁ a<sup>aa</sup>gÁÁw.  .,  «. 'Á. Áj Á<sup>aa</sup>PAjgA  °EAE, AYÉAmÉ « 'ÁUA  a<sup>EE</sup>:7760992318</p>	- a <sup>EE</sup> ° EAAVÉ -
4	<p>vÁAwPA ±ÁSE,  «.PAbÉAj  F.PA.gA, Á, AA, Eij  °EAE, AYÉAmÉ « 'ÁUA</p>	<p>zÁ C Á<sup>aa</sup>Á<sup>aa</sup>Á<sup>aa</sup>Ei  «.vÁAwPA z° à  a<sup>EE</sup>:7760992301  Email.Id:dmenehsp@gmail.com</p>	<p>zÁ a<sup>aa</sup>Aw 'ÁUA<sup>aa</sup>Qm  Q. Á<sup>aa</sup>PA.gA.J.D  °EAE, AYÉAmÉ « 'ÁUA  a<sup>EE</sup>:7760992301</p>	- a <sup>EE</sup> ° EAAVÉ -
5	<p>ÁAZÁgA ±ÁSE,  «.PAbÉAj</p>	<p>zÁ PE.PE. @a<sup>aa</sup>Á<sup>aa</sup>Á<sup>aa</sup>  «. ÁAZÁgA C<sup>aa</sup>PAj</p>	<p>zÁ a<sup>aa</sup>Aw PE. ÁzÁ<sup>aa</sup> Á,  Á, ÁAZÁgA C<sup>aa</sup>PAj</p>	- a <sup>EE</sup> ° EAAVÉ -

	F .PÀ.gÀ. Á. ÁA. ÈJ °ÉÆ. ÆÆÁMÉ «`ÁUA	°ÉÆ:7760992302 Email.Id:dtohsp@gmail.com	°ÉÆ. ÆÆÁMÉ «`ÁUA °ÉÆ:7760992302 Email.Id:dtohsp@gmail.com	
6	ÉPÀ- ÆÆÁMÉ ±ÁSE, « .PÀbÉÁJ F .PÀ.gÀ. Á. ÁA. ÈJ °ÉÆ. ÆÆÁMÉ «`ÁUA	zÁ 1. ±ÁA ÁA Á. ÉPÁKCPÁJ (ÆÆ): °ÉÆ. ÆÆÁMÉ «`ÁUA °ÉÆ:7760992305 Email.Id:aaohsp@gmail.com	zÁ 1. avÁP ÁR UÉÆÁ ÉPÀ- ÆÆÁMÉ C Ç ÁPÁPÁgÁÁ °ÉÆ:7760992305 Email.Id:aaohsp@gmail.com	- °ÉÁÁ ° ÉÁAVÉ -
7	z. ÁAO ±ÁSE, « .PÀbÉÁJ F .PÀ.gÀ. Á. ÁA. ÈJ °ÉÆ. ÆÆÁMÉ «`ÁUA	zÁ gÁEÁÁZÁDgí .JA. Á°ÁÁÁPÁ DqÁ½vÁÇPÁJ °ÉÆ:7760992303 Email.Id: rajendra <a href="mailto:rm4@gmail.com">rm4@gmail.com</a>	zÁ ZÁAZÁEÁRgÁ, 1 SÁÇ CÇÁPÁPÁgÁÁ °ÉÆ. ÆÆÁMÉ «`ÁUA °ÉÆ:7760992303 Email.Id: rajendra rm4@gmail.com	- °ÉÁÁ ° ÉÁAVÉ -
8	CAQ- ÁASÉá ±ÁSE, « .PÀbÉÁJ F .PÀ.gÀ. Á. ÁA. ÈJ °ÉÆ. ÆÆÁMÉ «`ÁUA	zÁ ÁÁÁÁÁEÁXÁ. Á°ÁÁÁPÁ CAQ- ÁASÁÁÇPÁJ °ÉÆ. ÆÆÁMÉ «`ÁUA °ÉÆ:7760992316 Email.Id: dcstatnekrct@gmail.com	zÁ ÁÁÁW JET .gÁZÁ ÁÁÁ, CAQ- ÁASÉá Á°ÁÁÁÁQ, °ÉÆ:7760992316 Email.Id: <a href="mailto:dcstatnekrct@gmail.com">dcstatnekrct@gmail.com</a>	- °ÉÁÁ ° ÉÁAVÉ -
9	PÁ°ÁUÁJ ±ÁSE, « .PÀbÉÁJ F .PÀ.gÀ. Á. ÁA. ÈJ °ÉÆ. ÆÆÁMÉ «`ÁUA	zÁ 1. gÁVÁÁEÁAZÁEÁ Á°ÁÁÁPÁ PÁÁÁÁO ±ÁÁO°ÁPÁ CÇÁÁÁÁVÁgÁgÁÁ, °ÉÆ. ÆÆÁMÉ «`ÁUA °ÉÆ:7760992313 Email.Id: dchospet@gmail.com	zÁ °ÉÁPÁMÉÁ±Á, Oj ÁÁÁ CÇÁÁÁÁVÁgÁgÁÁ °ÉÆ. ÆÆÁMÉ «`ÁUA °ÉÆ:7760992313 Email.Id: <a href="mailto:dchospet@gmail.com">dchospet@gmail.com</a>	- °ÉÁÁ ° ÉÁAVÉ -

WAI PÁ/ «`ÁVÁÁÁÁ PÁÁÁÁOÁgÁUÁVÁ Á°ÁOðPÁ °ÁÁÁ»w CÇPÁJ UÁVÁÁ/ Á°ÁÁÁPÁ Á°ÁOðPÁ °ÁÁÁ»w CÇPÁJ °ÁUÁE  
°ÉÆZÁ°ÉÁÁ °ÉÁÁ°ÉÁÁ«`ÁÁÇPÁgÁ «`ÁgÁUÁVÁÁ.

PÁæ ÁÁ.	Á°ÁOðPÁPÁPÁbÉÁJ / WAI PÁUÁVÁ «`ÁÁ. Á	Á°ÁOðPÁ °ÁÁÁ»w CÇPÁJ	Á°ÁÁÁPÁ Á°ÁOðPÁ °ÁÁÁ»w CÇPÁJ	°ÉÆZÁ°ÉÁÁ °ÉÁÁ°ÉÁÁ«` ÁÁÇPÁgÁ
1	«`ÁVÁÁÁÁ PÁÁÁÁOÁgÁ, F .PÀ.gÀ. Á. ÁA. ÈJ °ÉÆ. ÆÆÁMÉ «`ÁUA	zÁ ÉÁUÉÁ±ÁÆÇÁEÁB «`ÁVÁÁÁÁ PÁÁÁÁO CÇÁPÁPÁgÁÁ °ÉÆ:7760992315	zÁ ÁÁÁW F.ZÁAZÁRÁ Á ÆÁgÁÁÆÁVÉUÁgÁ, °ÉÆ:7760992315	zÁ °ÉZI .PÉ.zÁ ±Á ÁgÁÁi «`ÁVÁÁÁÁ ±ÁÁÁÁVÁÁÁÇPÁJ °ÉÆ:7760992300 ÆÁÁPíi ÁA.08394-226142 Email.Id: dchospet@gmail.com
2	F .PÀ.gÀ. Á. ÁA. ÈJ °ÉÆ. ÆÆÁMÉ WAI PÁ, °ÉÆ. ÆÆÁMÉ	zÁ PÉ.S. ÁÁgÁd WAI PÁ ÁÁÁÁ ÁÁÁPÁgÁÁ, °ÉÆ:7760992310 Email Id: dmnehsp@gmail.com	zÁ zÁÁPÁÁÁÁÁgí 1 SÁÇ °ÉÁÁ ° ZÁgÁPÁ °ÉÆ:7760992310 Email Id: <a href="mailto:dmnehsp@gmail.com">dmnehsp@gmail.com</a>	- °ÉÁÁ ° ÉÁAVÉ -
3	F .PÀ.gÀ. Á. ÁA. ÈJ ÁAQÁEgÁÁ WAI PÁ, ÁAQÁEgÁÁ.	zÁ 1. °ÉZI °ÁÁO WAI PÁ ÁÁÁÁ ÁÁÁPÁgÁÁ, °ÉÆ:7760992309 Email Id: dmnesnd@gmail.com	zÁ ÁÁÁW gÁZÁ Dgí .Ç. 1 SÁÇ °ÉÁÁ ° ZÁgÁPÁ °ÉÆ:7760992309 Email Id: <a href="mailto:dmnesnd@gmail.com">dmnesnd@gmail.com</a>	- °ÉÁÁ ° ÉÁAVÉ -
4	F .PÀ.gÀ. Á. ÁA. ÈJ	zÁ ÁÁÁÁÁÁ PÁÁÁÁÁgÁ	zÁ Dgí .SÁVÁEÁUÉqÁ	

	PÄErW WAI PA , PÄErW	WAI PA aḥaḥ, ÁḥPÄgÄ, aḥE:7760992311 Email Id: <a href="mailto:dmnekd@gmail.com">dmnekd@gmail.com</a>	ÉPÄḥvḥe°EÄÄ° ZÄgÄPA aḥE:7760992311 Email Id: dmnekd@gmail.com	- aḥÄÄ° EÄAvÉ -
5	F .PÄ.gÄ, Á, ÄÄ, ÉJ °ÄqÄUÄ° WAI PA , °ÄqÄUÄ°	ZÄ n.J i .EÄI gÄei WAI PA aḥaḥ, ÁḥPÄgÄ, aḥE:7760992312 Email Id: dmnehdl@gmail.com	ZÄ JA .ÄgÄSÄCÄEi 1 SÄC aḥÄÄ° ZÄgÄPA aḥE:7760992312 Email Id: <a href="mailto:dmnehdl@gmail.com">dmnehdl@gmail.com</a>	- aḥÄÄ° EÄAvÉ -
6	F .PÄ.gÄ, Á, ÄÄ, ÉJ °ÄUÄj °ÉE°ÄÄEÄ°ÄVzi WAI PA , °ÄUÄj °ÉE°ÄÄEÄ°ÄVzi	ZÄ i .f .EÄE i ḥÄÖi WAI PA aḥaḥ, ÁḥPÄgÄ, aḥE:7760318899 Email Id: dmnehbh@gmail.com	ZÄ°ÄÄW ḥÄ ÄEA °ÉPÄḥvḥe°EÄÄ° ZÄgÄQ aḥE:7760318899 Email Id: <a href="mailto:dmnehbh@gmail.com">dmnehbh@gmail.com</a>	- aḥÄÄ° EÄAvÉ -

### ¥ÄzÉÄZPA vÄgÄ°ÉÄw PÉÄAzÄe°ÄÄ°ÄiÄB°ÄZÄ

PÄÄÄÄ ÄASÉÄ	ÄÄÄÖdḥPA ¥ÄCÄPÄgÄ,	ÄÄÄÖdḥPA aḥiÄ»w CÄPÄj , °É ÄgÄÄ, °ÄZÉY PÄBÉÄj «¼Ä, Ä, ZÄEgÄ°ÄtÄ/¥ÄÄPÄi i aḥE°ÉÉ°i ÄASÉÄ/ F - aḥÄÄ°i «¼Ä, Ä	Ä°ÄÄÄPÄ ÄÄÄÖdḥPA aḥiÄ»w CÄPÄj , °É ÄgÄÄ, ZÄEgÄ°ÄtÄ/ ¥ÄÄPÄi i aḥE°ÉÉ°i ÄASÉÄ/ F - aḥÄÄ°i «¼Ä, Ä	°ÉZÄ°ÉÄÄÄ C i Ä°Ä ¥ÄCÄPÄgÄ, °É ÄgÄÄ, °ÄZÉY PÄBÉÄj «¼Ä, Ä, ZÄEgÄ°ÄtÄ/¥ÄÄPÄi i, aḥE°ÉÉ°i ÄASÉÄ/ F - aḥÄÄ°i «¼Ä, Ä
01	F PÄgÄ, Á, ÄÄ, ÉJ ¥ÄzÉÄZPA vÄgÄ°ÉÄw PÉÄAzÄe °ÄÄ°ÄiÄB°ÄZÄ	¥ÄÄÄÄÄÄ°gÄÄ, ¥ÄzÉÄZPA vÄgÄ°ÉÄw PÉÄAzÄe °ÄÄ°ÄiÄB°ÄZÄ. aḥE: 7760994592 ¥ÄÄPÄi i 270333.	ZÄ EÄUÄEÄxÄ, Ä°ÄÄÄPÄ ÄAZÄgÄ CÄÄPÄPA ¥ÄzÉÄZPA vÄgÄ°ÉÄw PÉÄAzÄe °ÄÄ°ÄiÄB°ÄZÄ. ZÄE: 270333.	°ÄÄÄÄÄ 1 SÄC aḥaḥ, ÁḥPÄgÄ, F PÄgÄ, Á, ÄÄ, ÉJ PÉÄAzÄe PÄBÉÄj , UÄÄ°SÜÄÖ.

### ZÄ°PÄgÄ vÄgÄ°ÉÄw PÉÄAzÄe°ÄUÄj °ÉE°ÄÄEÄ°ÄVzi

PÄÄÄÄ ÄASÉÄ	ÄÄÄÖdḥPA ¥ÄCÄPÄgÄ,	ÄÄÄÖdḥPA aḥiÄ»w CÄPÄj , °É ÄgÄÄ, °ÄZÉY PÄBÉÄj «¼Ä, Ä, ZÄEgÄ°ÄtÄ/¥ÄÄPÄi i aḥE°ÉÉ°i ÄASÉÄ/ F - aḥÄÄ°i «¼Ä, Ä	Ä°ÄÄÄPÄ ÄÄÄÖdḥPA aḥiÄ»w CÄPÄj , °É ÄgÄÄ, ZÄEgÄ°ÄtÄ/ ¥ÄÄPÄi i aḥE°ÉÉ°i ÄASÉÄ/ F - aḥÄÄ°i «¼Ä, Ä	°ÉZÄ°ÉÄÄÄ C i Ä°Ä ¥ÄCÄPÄgÄ, °É ÄgÄÄ, °ÄZÉY PÄBÉÄj «¼Ä, Ä, ZÄEgÄ°ÄtÄ/¥ÄÄPÄi i, aḥE°ÉÉ°i ÄASÉÄ/ F - aḥÄÄ°i «¼Ä, Ä
01	F PÄgÄ, Á, ÄÄ, ÉJ ZÄ°PÄgÄ vÄgÄ°ÉÄw PÉÄAzÄe °ÄUÄj °ÉE°ÄÄEÄ°ÄVzi	ZÄ ÄÄÄÄStÜJA.JEi 1 SÄC CÄÄPÄPA, ZÄE: 08397270053	ZÄ JEi .f .ÄÄÄ° ÄÄÄÄ, ÄAZÄgÄ ḥj ÄPÄPA, ZÄE: 08397270053	ZÄEÄgÄÄÄÄt ÄÄÄÄ, ¥ÄÄÄÄÄÄ°gÄÄ, aḥE: 7760992008

### ¥ÄzÉÄZPA PÄÄÄiÄÖUÄgÄ ÄÄiÄZÄVÄgÄ

<p>PAZAA NASÉa</p>	<p>ÁaĎdɔPA FAɔPÁAgA,</p>	<p>ÁaĎdɔPA aNiA»w CɔPÁj , oÉ AgAA, oNAZÉY PAbEÁj «¼Á, Á, zÁEgAaÁtÁ/FAáPi i aÉEÉÉ-i NASÉa/ F -aÉÁÁ-i «¼Á, Á</p>	<p>ÁoÁAÁAPA ÁaĎdɔPA aNiA»w CɔPÁj , oÉ AgAA, zÁEgAaÁtÁ/FAáPi i aÉEÉÉ-i NASÉa/ F -aÉÁÁ-i «¼Á, Á</p>	<p>aÉEZÁ®EÉAÁÁ C ; Á®Á FAɔPÁAgA, oÉ AgAA, oNAZÉY PAbEÁj «¼Á, Á, zÁEgAaÁtÁ/FAáPi i aÉEÉÉ-i NASÉa/ F -aÉÁÁ-i «¼Á, Á</p>
<p>01</p>	<p>F PÁgA, Á, ÁA, Éj FAzÉÁZPA PÁAÁÁÁŌUÁgA AÁÁÁzÁVÁgA.</p>	<p>zÁ n.r. FAɔÁF i PÁAÁÁÁgA, ÁoÁAÁAPA vÁAwPA z° à aÉE: 7760992040 E -aÉÁÁ-i : <a href="mailto:amenekrtrcs@gmail.com">amenekrtrcs@gmail.com</a></p>	<p>zÁ Dgi .J.PÁVAV ÁoÁAÁAPA ÉPÁKɔPÁj (FA): aÉE: 9945338616</p>	<p>zÁ. » aNAzÁŌEÁ EAAÁÁÁŌ PÁAÁÁŌaÁaÁ, ÁVÁPÁgA F PÁgA, Á, ÁA, Éj FAzÉÁZPA PÁAÁÁÁŌUÁgA AÁÁÁzÁVÁgA, aÉE: 9663011466</p>

## PÁaÁAUÁj « ÁUA S¼Áj

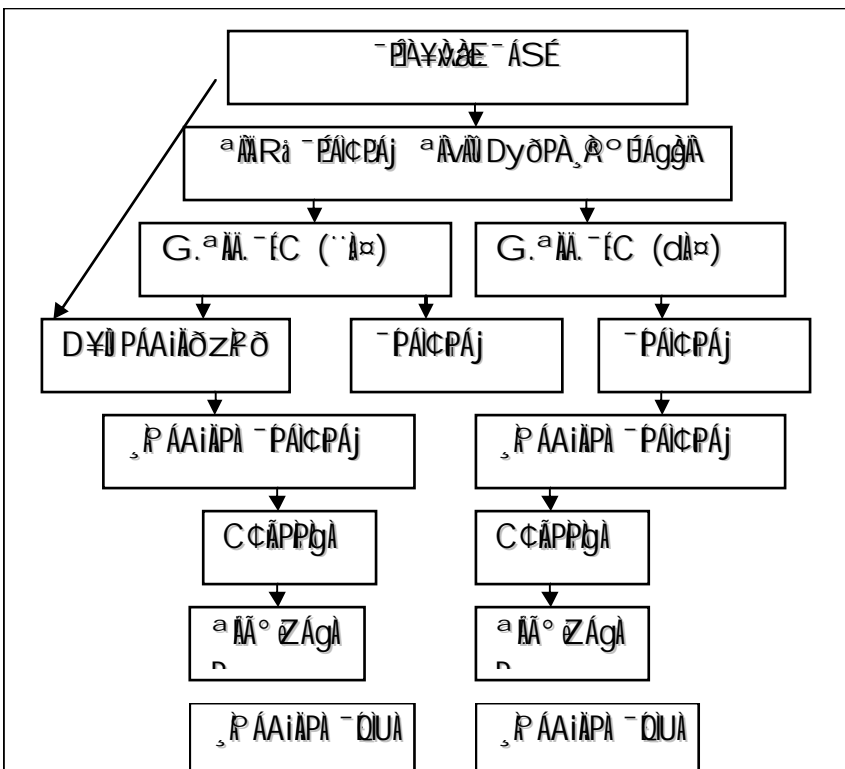
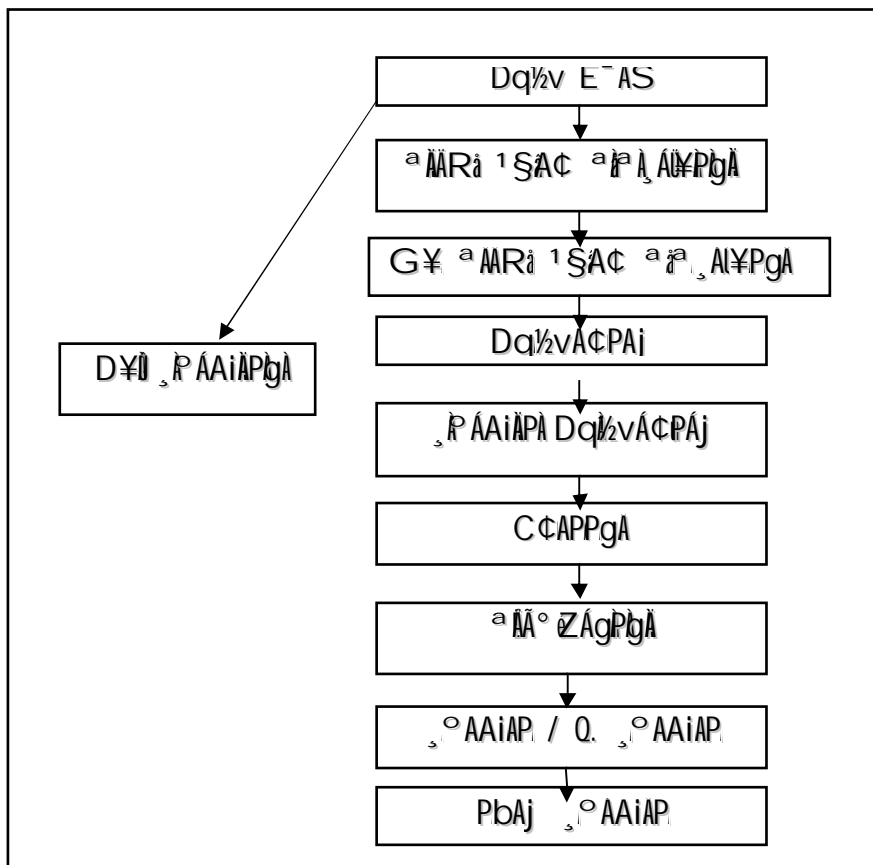
<p>PAZAA NASÉa</p>	<p>ÁaĎdɔPA FAɔPÁAgA,</p>	<p>ÁaĎdɔPA aNiA»w CɔPÁj , oÉ AgAA, oNAZÉY PAbEÁj «¼Á, Á, zÁEgAaÁtÁ/FAáPi i aÉEÉÉ-i NASÉa/ F -aÉÁÁ-i «¼Á, Á</p>	<p>ÁoÁAÁAPA ÁaĎdɔPA aNiA»w CɔPÁj , oÉ AgAA, zÁEgAaÁtÁ/ FAáPi i aÉEÉÉ-i NASÉa/ F -aÉÁÁ-i «¼Á, Á</p>	<p>aÉEZÁ®EÉAÁÁ C ; Á®Á FAɔPÁAgA, oÉ AgAA, oNAZÉY PAbEÁj «¼Á, Á, zÁEgAaÁtÁ/FAáPi i aÉEÉÉ-i NASÉa/ F -aÉÁÁ-i «¼Á, Á</p>
<p>01</p>	<p>F PÁgA, Á ÁA, Éj PÁaÁAUÁj « ÁUA, S¼Áj .</p>	<p>zÁ Dgi .zÁÁ, ÁÉÁ, PÁAÁÁŌɔÁŌoÁPA C®ÁÁÁAvÁgÁgA, F PÁgA, Á, ÁA, Éj PÁaÁAUÁj « ÁUA, 1 gÁUÁÁFAgA, ÉjS¼Áj , zÁE: 08392-266428 aÉE: 7760992035 E -aÉÁÁ-i : <a href="mailto:eecednekrctbly@yahoo.com">eecednekrctbly@yahoo.com</a></p>	<p>zÁ zÁ Dgi .zÁÁ, ÁÉÁ, PÁAÁÁŌɔÁŌoÁPA C®ÁÁÁAvÁgÁgA, F PÁgA, Á, ÁA, Éj PÁaÁAUÁj « ÁUA, 1 gÁUÁÁFAgA, ÉjS¼Áj , zÁE: 08392-266428 aÉE: 7760992035 E -aÉÁÁ-i : <a href="mailto:eecednekrctbly@yahoo.com">eecednekrctbly@yahoo.com</a></p>	<p>zÁ. aÁÁEÁEÁE ÁoÉÁÁ, aÁÁÁÁÁ PÁaÁAUÁj C®ÁÁÁAvÁgÁgA, F PÁgA, Á, ÁA, Éj PÉÁAzÁEÁPAbEÁj , UÁÁ®SUAŌ. zÁE: 08472- 279708 aÉE: 7760992017. E -aÉÁÁ-i : <a href="mailto:cce@nekrct.com">cce@nekrct.com</a></p>

## PÁaÁAUÁj « ÁUA UÁÁ®SUAŌ

<p>PAZAA NASÉa</p>	<p>ÁaĎdɔPA FAɔPÁAgA,</p>	<p>ÁaĎdɔPA aNiA»w CɔPÁj , oÉ AgAA, oNAZÉY PAbEÁj «¼Á, Á, zÁEgAaÁtÁ/FAáPi i aÉEÉÉ-i NASÉa/ F -aÉÁÁ-i «¼Á, Á</p>	<p>ÁoÁAÁAPA ÁaĎdɔPA aNiA»w CɔPÁj , oÉ AgAA, zÁEgAaÁtÁ/ FAáPi i aÉEÉÉ-i NASÉa/ F -aÉÁÁ-i «¼Á, Á</p>	<p>aÉEZÁ®EÉAÁÁ C ; Á®Á FAɔPÁAgA, oÉ AgAA, oNAZÉY PAbEÁj «¼Á, Á, zÁEgAaÁtÁ/FAáPi i aÉEÉÉ-i NASÉa/ F -aÉÁÁ-i «¼Á, Á</p>
------------------------	------------------------------	--	--	---



## Dq½v E-AS

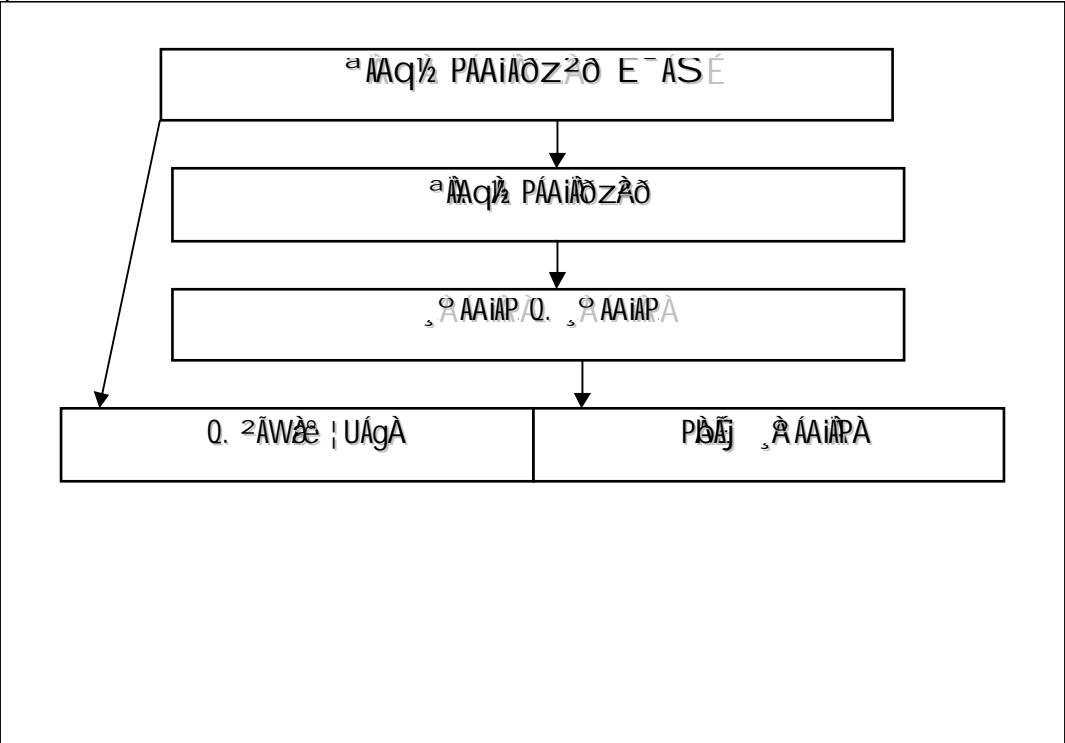
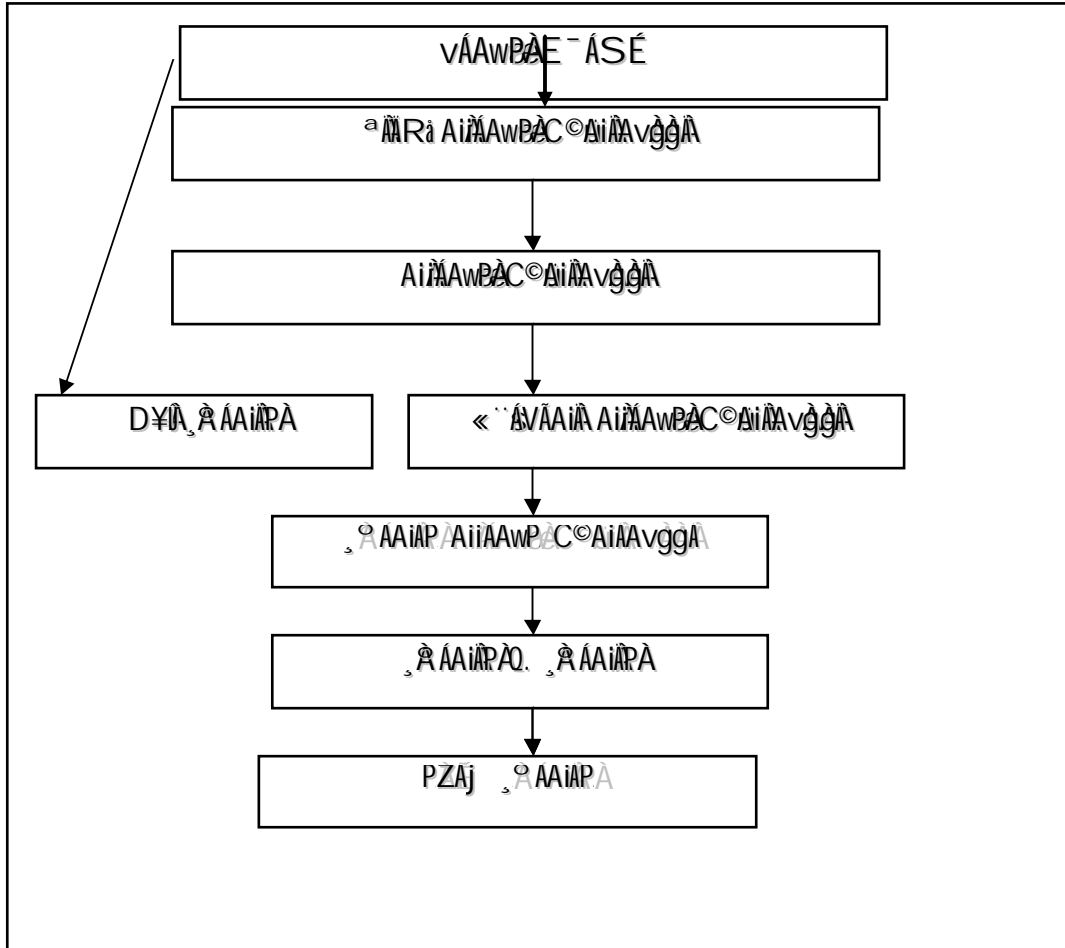




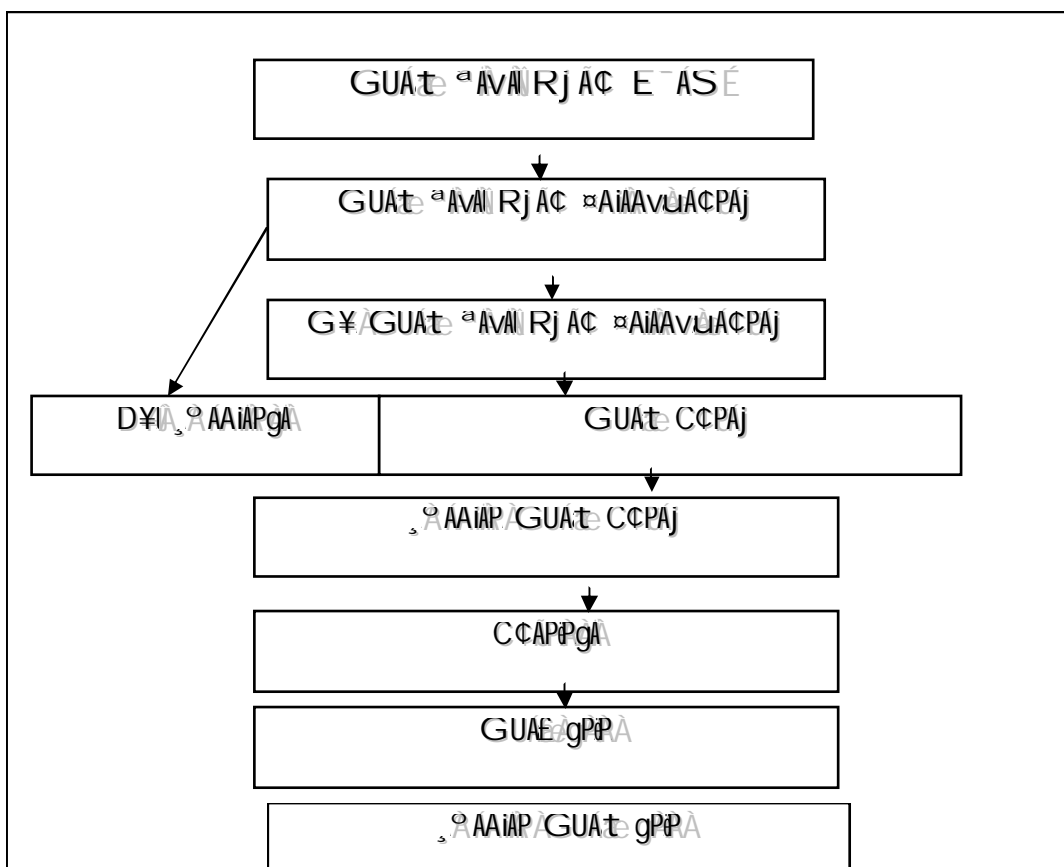
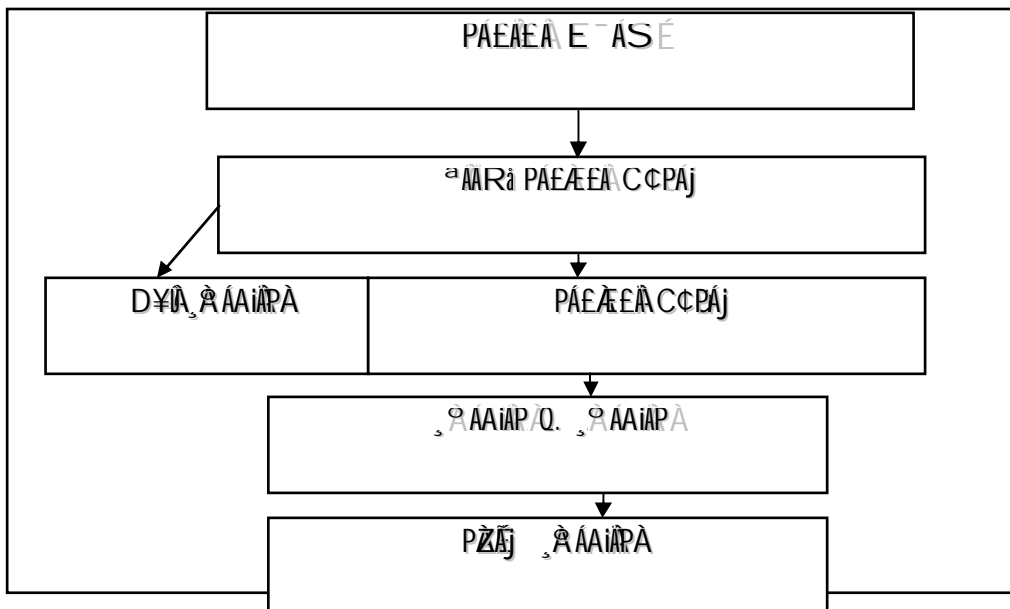


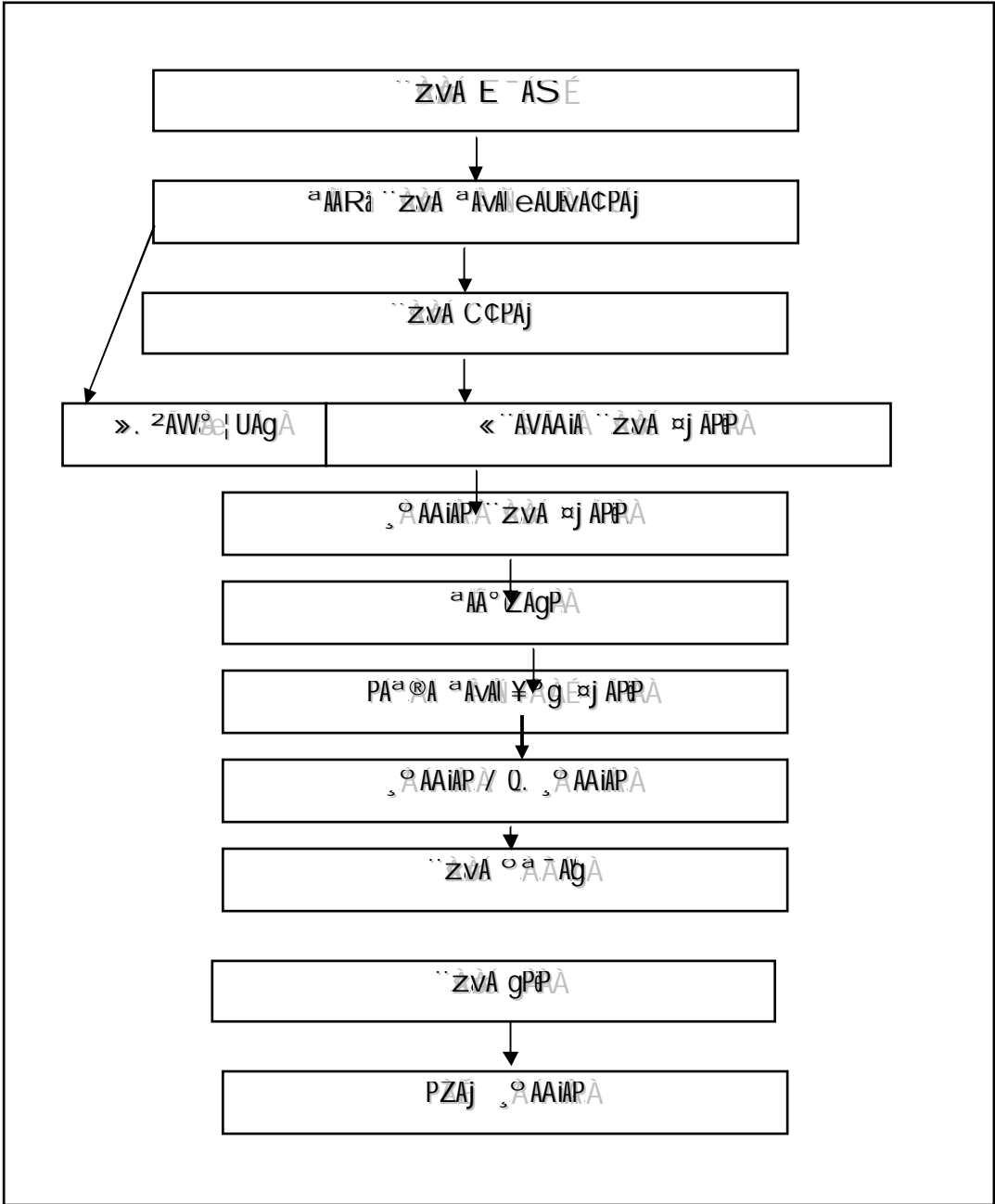


















	<sup>1</sup> SAÇ <sup>a</sup> AA°ZÁgPA				CA±)			(PA)		
	U. 2ÁWbæ °   UÁgA » . 2ÁWbæ °   UÁgA PÁAiÁPA	PÁWbæ AA° ZÁgPA	AZÁgA EJ ÁPPA	PÁAiÁPA PÁAiÁÖ CÇÁPPA	CAQ CA±A <sup>a</sup> AA°ZÁgPA	GUÁæ gPPA		PÁAiÁPA PÁEKEEA CÇPAJ	PÁAiÁPA C©AiÁAvlggA («)	« ÁVÁAiÁ PÁAiÁ » j ÁPPA
	U. Á-PA. qÁ. JAnæ D¥gÁI gi ° PÁ-ÁgA (PbÁj)	PÁAiÁPA QUA	PÁAiÁPA AZÁgA » j ÁPPA	¥ÁgA ¥MÁgA	¥EÁgÁæ CræµÁI gi	PÁAiÁPA GUÁæ gPPA		QJ AiÁ C©AiÁAvlggA (PÁ) («±ÁµÁ ±Áæ)	PÁAiÁPA PÁAiÁ » j ÁPPA	
	PbÁj PÁAiÁPA ±ÁaUÁgA <sup>a</sup> AA°		AZÁgA »AiÁAvbæ » <sup>a</sup> ÁÖ°PA	<sup>a</sup> AA°PÁ PÁ±PÁkÁÖ	CAQ CA±A PÁAiÁPA				PÁAiÁPA ° PÁ-ÁgA	
			ZÁ°PÁ ZÁ°PÁ PÁ » <sup>a</sup> ÁÖ°PA	PÁ±PÁkÁÖ					PÁAiÁPA gPPA	
				PÁAiÁPA PÁ±PÁkÁÖ VÁAWPÁ - C VÁAWPÁ - ©						

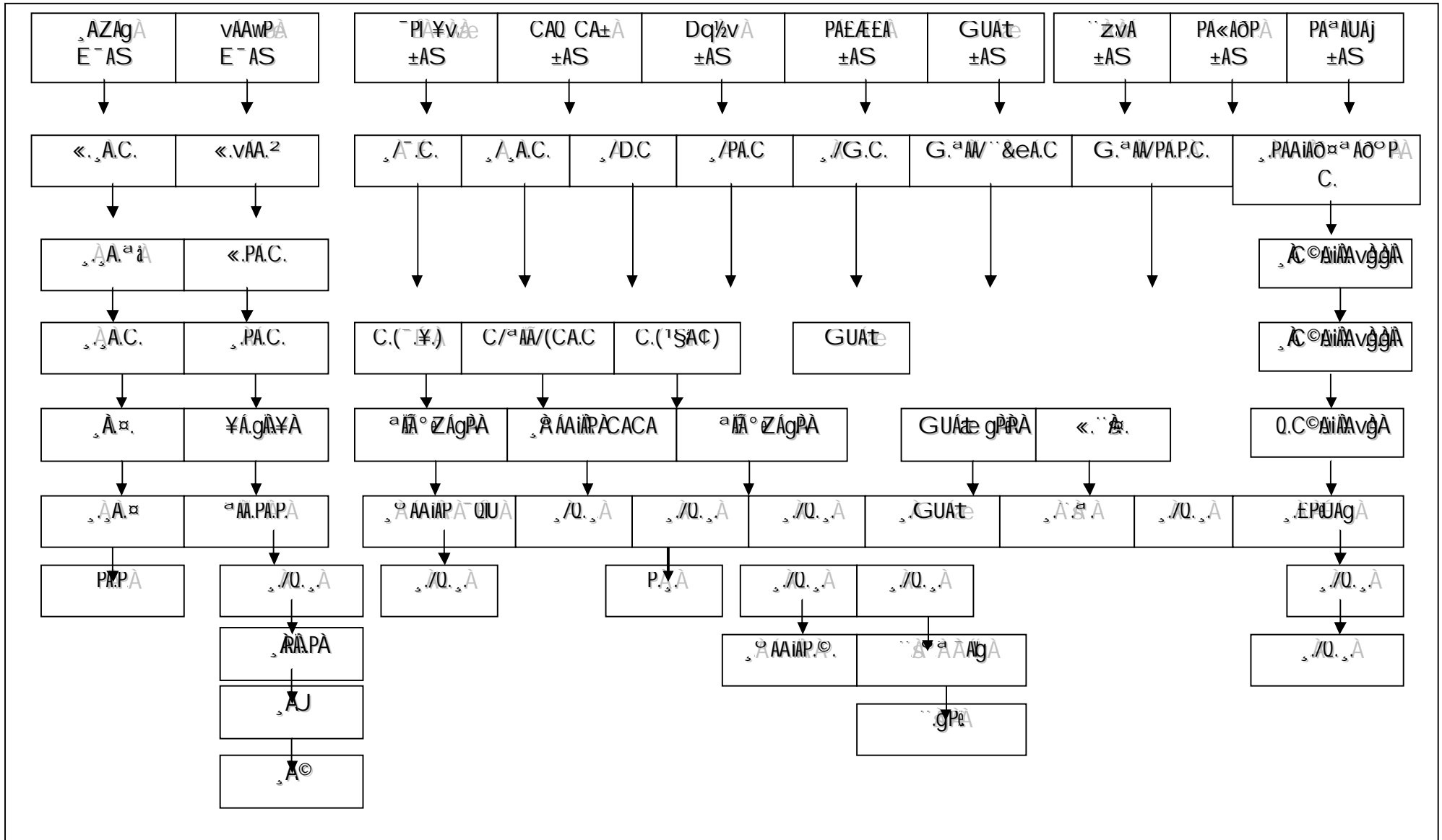
α U A I Z A , A A 1 P A E P E P A Z A P O A E J « · · A V A I A P O A E J



U A ® S U A O - 1	U A ® S U A O - 2	© A z g	S % A j	A i i A z V g	P A E % ¼	g A A I A Z A E g	© e A % A E g	° A E , % A I
W I P U % A								
U A ® S U A O - 1 a v A I A E g A a A Z E A ½ · A q A P A ¼ V	U A ® S U A O - 2 U A ® S U A O - 3 D ¼ A z A e A a V O C % d - i % E g A	© A z g   ° A a A E A · A z A · · A ° I S , P P I A t O g A z A	S % A j - 1 S % A j - 2 1 g U A % A a	A i i A z V g   ± P A % E g A U A g A a A o P I i · A g A g A	P A E % ¼   P A μ V U A U A a V A i A ® S A U A O P A P E E g A	g A A I A Z A E g   - 1 g A A I A Z E g A 2 ° A U A , A E U A E g A 1 A z E E g A a A A α e z A a z A U O a A 1	© e A % A E g - 1 © e A % A E g A - 2 E A r 1 A z V a A A z I ° A ¼ A v A ½ P A E A I S , · A U A a A r	° A E , % A m   P A E r V ° b U R · A q E g A ° U j · A E a A E P I z i

# « · ÁVÁiÁPÁĒĪ AiÁ, ÁA 1 PÁĒPĒÉ

## « · ÁVÁiÁ ÁAiÁ vÁÁÁĈPÁĪ





S.N	PF.NO	NAME OF EMPLOYEE	DOB	DESIGN	DEPT	BASIC
1	B27359	Shivamma.D.K	10/06/1992	Charge man	CME	15290/-
2	B27347	Sangappa Chatter	01/06/1994	Charge man	CME	15290/-
3	A50167	Mareppa.Kallurakar	06-01-1961	ATS	CLS	24690/-
4	D09659	Krishnaji.T. Nayak	07-01-1964	TI	CLS	28300/-
5	A519604	Lal Saheb Angadi	15/06/1987	TI	TRF	14870/-
6	A121035	Basavraj Aheri	10/06/1979	TI	TRF	15290/-
7	A121041	Saheb gouda	07/06/1986	TI	TRF	15290/-
8	A121016	Sidram Utagi	11/06/1986	TI	TRF	15290/-
9	A121015	Nigan gouda	22/07/1990	TI	TRF	15290/-
10	A121024	Prakash Umadi	31/07/1987	TI	TRF	14870/-
11	A121022	Vilas hajiri	01/03/1988	TI	TRF	10150/-
12	A121028	Sharanasappa B	01/06/1982	TI	TRF	14870/-
13	D15937	Sridhar	09/01/1981	SK	STORE	14870/-
14	A701818	Siddappa chigari	01-02-1984	ATS	CLS	18650/-
16	D12669	Saibanna.M.N	01/09/1967	EST SUPTD	EST	30500/-
17	D12029	ShashiKant.D.Patil	18/5/1958	EST SUPTD	EST	27180/-
18	D09454	Shivaprakash	10-01-1961	EST SUPTD	EST	29620/-
20	D12683	Venkatesh. K.janadri	06-01-1967	ACT SUPTD	PRO	30500/-
21	17822/1238	Sidramappa.V. bijma	01-04-1970	SR STENO	CAO	21960/-
22	C00483	Nanda.M	14/1/1974	JE(CIVIL)	CE	17940/-
23	D7874	Ganapati golya	24/8/1958	EST SUPRV	EST	34940/-
24	D9848	Raghavendra.V.desai	06-01-1963	EST SUPRV	CME	29130/-
25	D9486	Narendra kumar	23/5/1962	EST SUPRV	CE	28300/-
26	D09456	Jayakumar	08-12-1958	EST SUPRV	EST	28300/-
27	D09788	Ambaray ,Biradar	06-01-1962	EST SUPRV	Board	28300/-
28	D9843	Anandkumar. S	08-01-1962	EST SUPRV	TRF	28300/-
29	D10160	Jetteppa	03-08-1962	ACT SUPRV	ACCT	29130/-
30	D09458	Malkappa	06-01-1962	ACT SUPRV	ACCT	29130/-
31	D14632	Shilpa Burli	12-02-1985	ACT SUPRV	ACCT	16770/-
32	D14569	Manjunath.B	10-03-1983	COMPU SUP	MIS	17940/-
33	D16056	Venkesha patil	23/12/1990	COMPU SUP	MIS	10150/-
34	A103712	Basamma Biradar	06-01-1982	ATS	TRF	18650/-
35	A32945	Maheboobpasha	01/06/1958	ATI	TRF	23020/-
36	A75840	Modin	01/06/1958	ATI	TRF	24940/-
37	A708847	Padmavathi	04/07/1974	ATI	TRF	12600/-
38	A11065	Bheemashankar	16/7/1980	ATS	CLS	19380/-
39	D700077	Abdul Raheman,	06-01-1975	ASSISTANT	PRO	16160/-
40	D11641	Pranasha.	16/7/1970	ASSISTANT	ACCT	20620/-
41	D11269	Shashikant	04-12-1971	ASSISTANT	ACCT	21350/-
43	D12504	Shekha haji	02-07-1978	ASSISTANT	LAW	19250/-

44	D11947	Sharad.S.Deshapande	20/7/1966	ASSISTANT	CME	19250/-
45	D09999	Sharanappa, Hatti	25/9/1959	ASSISTANT	TRF	27920/-
46	D09479	Panduranga	22/7/1962	ASSISTANT	CSVO	27920/-
47	D09996	Mahadev.P.sindhe	06-01-1957	ASSISTANT	TRF	25730/-
48	D700054	Shaik Ahmed	05-12-1976	ASSISTANT	EST	16690/-
49	D700063	Anasuya.B.sugur	08-01-1984	ASSISTANT	EST	16160/-
50	D700062	Smt,Suvarana.Ashok	25/8/1980	ASSISTANT	EST	17330/-
51	D700131	Chandrike S.Patil	08-08-1967	ASSISTANT	CME	16690/-
52	D700578	Nagaraj math	08-04-1975	ASSISTANT	BOARD	17970/-
53	D700167	Smt,Rajalaxmi	05-07-1977	ASSISTANT	CSVO	14260/-
54	D700161	Ravindra N	03-01-1983	ASSISTANT	TRF	14260/-
55	D700151	Sharanayya	10-01-1985	ASSISTANT	LAB	14260/-
56	D09838	Srikant. D	08-01-1961	ASSISTANT	EST	27920/-
57	D700276	Sudha R	10-02-1970	ASSISTANT	ACCT	14260/-
58	D703816	Seema	26/12/1986	ASSISTANT	MIS	14260/-
59	D700285	Marthanda Rao	20/5/1981	ASSISTANT	EST	14260/-
60	D09852	Shivaling reddy	02-02-1962	ASSISTANT	EST	27920/-
61	D700504	Kumari,Jyoti.Adivennavar	06-02-1985	ASST ACCT	ACCT	14680/-
62	D10100	Quisarali mubeen	23/7/1963	ASST ACCT	ACCT	27920/-
63	D09997	Abdul Hameed ustad	29/03/1962	ASST ACCT	ACCT	27920/-
64	D08170	Damodar	06-05-1963	ASST ACCT	ACCT	32300/-
65	D700474	Ambaji	07/06/1984	ASST ACCT	ACCT	15100/-
66	D701145	Surekha B Patil (Trainee)	31/12/1988	ASST ACCT	ACCT	9750/-
67	D701146	Shankera gouda(Trainee)	03/01/1992	ASST ACCT	ACCT	9750/-
68	D701174	Manjunath B (Trainee)	18/04/1990	ASST ACCT	ACCT	9750/-
69	D700500	Sumitra yande	06-03-1983	ASST ACCT	ACCT	15100/-
70	D700504	Santosh patil	22/5/1983	ASST ACCT	ACCT	14680/-
71	D700501	Laxmi.Sidram	24/7/1986	ASST ACCT	ACCT	15100/-
72	D11343	Md,Merajul Islam	27/5/1974	ASK	STORE	21350/-
73	D700506	Shivanand. Ganachari	20/7/1979	JR STENO	CSVO	15100/-
74	D700507	Mallappa.Kaggod	06-01-1980	JR STENO	LAW	15100/-
75	D700508	Smt,Hemavati	03-09-1981	JR STENO	CIVIL	15100/-
76	D700505	Smt,Manikeshwaramma	12-12-1982	JR STENO	EST	15100/-
77	D700184	Jyoti.Shastrri	04-12-1975	JACDEO	EST	13740/-
78	D700510	Nanda.Yalgod	22/07/1983	JACDEO	ACCT	12280/-
79	D08274	Shant Gowda	22/7/1958	JACDEO	CE	29610/-
80	D08280	Vijayakumar	21/9/1961	JACDEO	CE	31280/-
81	D701014	Siddaraya	08/04/1992	JACDEO	MIS	9250/-
82	D701018	Sangamesh	01/04/1991	JACDEO	CLWO	9250/-
83	D700899	Shivakumar M M	01/06/1991	JACDEO	EST	11360/-
84	D700983	Ranjeeta	01/04/1995	JACDEO	ACCT	9250/-

85	D700771	Syed Rafik	15/10/1989	JACDEO	TRF	11530/-
86	D701165	Kuldeep (Trainee)	01/06/1995	JACDEO	STORE	9250/-
87	D701142	Nagesh Hatti (Trainee)	10/08/1994	JACDEO	EST	9250/-
88	D701149	Prakash gineni (Trainee)	05/10/1994	JACDEO	CLO	9250/-
89	A87617	Shivakumar sajjan	07-05-1986	JACDEO	MIS	12280/-
90	D700150	Md, Muqem	01-01-1980	JACDEO	STORE	13420/-
91	D700347	Laxmi,S	06-10-1982	JACDEO	DFL	13100/-
92	D700499	Bhuvaneshwari.M	18/8/1974	JACDEO	LAW	12280/-
93	D700280	Md, Altaf husain	06-06-1982	JACDEO	ACCT	13100/-
94	D700514	Bhagavan sing	06-01-1978	JACDEO	TRF	12280/-
95	D700602	Earamma	15/01/1989	JACDEO	LAW	12030/-
96	D700599	Veerbhadranya	04/06/1983.	JACDEO	LAB	12030/-
97	D10118	Shrinivasalu	23/12/1963	STAT ASST	PA,MD	27920/-
98	D09991	Sadashivappa.C	18/6/1967	STAT ASST	MIS	27920/-
99	D700502	Netravati Math	17/3/1987	STAT ASST	MIS	15100/-
100	D66925	Hafeez ali	23/7/1965	DRIVER	MD	19860/-
101	A702624	Shreekant Biradar	06-02-1975	DCC	MDCAR	13180/-
102	A706208	Veerbhadranya	01/04/1983	DCC	CLS	12360/-
103	A703981	Jyotiba	01/06/1982	DCC	CLS	12610/-
104	D700667	Yogendra kumar B R	20/04/1978	DCC	BANG	13180/-
105	D20853	Shivasaranappa	15/12/1962	TECH ASST	STORE	13120/-
106	D11788	Gajendra	10-01-1974	HAWLDAR	MDCH	14250/-
107	D11617	Rajakumar	06-01-1972	HAWLDAR	Board	13290/-
108	D11656	Dattu	22/06/1969	HAWLDAR	EST	14570/-
109	A066892	Syed shadulla Huseni	03-05-1964	OFF HELPR	STORE	15030/-
110	A040966	Shivaputra linbitotad	15/7/1959	OFF HELPR	MIS	22710/-
111	D700357	Basavaraj kalla	01-01-1959	OFF HELPR	ACCT	11610/-
112	D700248	Syed jafar	25/1/1981	OFF HELPR	STORE	11100/-
113	D700580	Sandeep S	14/5/1986	OFF HELPR	TRF	11610/-
114	D700188	Anand	07-01-1981	OFF HELPR	MD	11440/-
115	D700096	Gangamma	29/3/1976	OFF HELPR	LAW	11860/-
117	D700205	Suvrana	04-06-1973	OFF HELPR	LAB	11440/-
118	D700007	Umakant	25/5/1977	OFF HELPR	CSVO	11100/-
119	D12507	Shivalingappa	22/7/1974	OFF HELPR	CME	13640/-
120	D700146	Raghavendra.H	23/8/1981	OFF HELPR	DFL	11610/-
121	D012144	Salauddin	13/3/1977	OFF HELPR	CTM	13960/-
122	A066669	K.S.prane shchar	04-10-1969	OFF HELPR	BNG	11270/-
123	D700827	Bassamma	03-06-1981	OFF HELPR	ACCT	11100/-
124	A703290	Mahaveer	22/07/1981	OFF HELPR	ESt	10930/-
125	D700295	Sangamma	22/07/1977	OFF HELPR	ACCT	11270/-
126	A701039	Ashafaqahmed	25/05/1982	OFF HELPR	CLWO	11100/-



127	A96419	Santosh De vagiri	01/08/1980	OFF HELPR	EST	11270/-
128	D700099	Ashoka kumar	06-01-1968	SWEEPER	CE	11860/-
129	D011613	Mahmad Aslam	06-05-1963	SWEEPER	CE	14920/-
130	D011565	Sharadabai	06-12-1968	SWEEPER	CE	14920/-
131	D700777	Sangamanath	05-02-1974	SECGUARD	SEC	10620/-
132	D011627	Gundappa	02-10-1975	MALI	CE	14920/-
133	D700926	Abdul Hameed	27/06/1990	JACDEO	TRF	11190/-
134	D700925	Kumar Shekhar	06-01-1988	JACDEO	ARF	11190/-
135	D700923	Shobha	06-01-1975	JACDEO	LAW	11190/-
136	D700924	Veeranna	10-11-1989	JACDEO	CME	11190/-
137	TRAINEE	MaheboobBasha	06-01-1982	OFF HELPR	EST	8600/-
138	D15754	Sridhar	08-02-1988	ACT SUPRV	ACCT	15290/-



7	7020-130-7280-170-7960-220-8400-280-9240-340-10600.	„A. AA. » J APAPA/PAA.PA«AO/PAA»EA '1 gi / 'ÉAqÁgi / AÁÁAvÁZÁ®PÁ / J'ÉOŃIAÁÁEi / aÉAPÁ»Pi (aÁÁÁZÁt) aÁn »j ÁPAPA/ Á' i MªÁgi 1 AÁÁgi / »j AÁÁ qÁMÁ JAnæ D»ÁgÉÁI gi / „ÁÁÁÁPÁ ÉÁPÉÁUÁgÁ	12410-250-12910-320-14190-420-15030-530-16620-640-19180
8	7520-170-8030-220-8470-280-9310-340-11010-390-13740.	„AFAUI „AaAqi / „AA.PAA.PA«AO/ „ÁÁÁÁPÁ aÉÁÁ° ZÁgÁPÁ («zÁÁÁvi) / »j AÁÁ aÁn AÁÁAvÁZÁ®PÁ / »j AÁÁ aÁn »j AÁÁ PÁÁ»ÉÁ'1 gi / »j AÁÁ AÁÁAvÁZÁ®PÁ / »j AÁÁ aÁn »j AÁÁ PÁÁ»ÉÁ'1 gi / »j AÁÁ AÁÁAvÁZÁ®PÁ / J. 1 J'ÉOŃIAÁÁEi / „ÁÁÁÁPÁ / Qj AÁÁ zÁWÁE ; UÁgÁ/ „ÁÁÁÁPÁ 'ÉOUÁ/ C.C. „ÁÁÁÁPÁ/ „Á.G.gÁPAPA/ »j AÁÁ ÉÁUÁC UÁ/ „Á. „ÁÁÁÁ gÁPAPA / 1 SÁC zÁC / UÁtPÁ AÁÁAvÁæ D»ÁgÉÁI gi	13300-320-14260-420-15100-530-16690-640-19890-730-25000
9	8410-220-8850-280-9690-340-11390-390-13340-11390-390-13340-440-14660.	„AAZAgA » J APAPA. »AgÁ»AvÁEÁUÁgÁ , «'ÁVÁÁÁÁ 'ÁzÁÁÁ »j ÁPAPA , 'ÉPÁ»AvÁæ »j «ÁPAPA , aÉÁÁ° ZÁgÁPÁgÁÁ ('ÉPÁ »AvÁæ , 1 SÁC , CAQCA±Á)ÉÁPÉÁUÁgÁ , »j AÁÁ zÁWÁE ; UÁgÁ, Qj AÁÁ C©ÁÁÁAvÁgÁgÁÁ(PÁªÁUÁj , «zÁÁÁ vi) GUÁt gÁPAPA , UÁtPÁ aÉÁÁ° ZÁgÁPÁ.	14870-420-15710-530-17300-640-20500-730-24150-830-26640
10	9050-340-10070-390-12800-440-15440.	„ÁÁÁÁPÁ „AAZAgA C©ÁÁPAPA , „ÁÁÁÁPÁ PÁÁÁÁÁ C©ÁÁPAPA , aÉÁÁ° ZÁgÁPÁ («zÁÁÁvi) C©ÁÁPAPA (vÁAwÁ) D»ÁU „ÁÁÁÁPÁ Qj AÁÁ C©ÁÁÁAvÁgÁgÁÁ «±ÉÁµÁ ±ÉÁtÁ (PÁªÁUÁj – «zÁÁÁvi) »ÉÁÁUÁÁÁÁgi / »j AÁÁ ZÁ®PÁgÁÁ.	16000-640-17920-730-23030-830-28010

»zÉÁÁÁPÁgÁÁ (°ÁtPÁ, ÁÁ) D. „Á PÁgÁgÁ, Á »UÁªÁ: PÉÁAzÁæPÁBÉÁj .

2014 gÁ aÁÁÁZi ð 01 gÁAZÁÁ eÁj AÁÁ° zÁV° ÁÁZÉPÁgÁÁ aÉÁvÁEÁ ±ÉÁtÁ

ªÁÁZÉY	aÉÁvÁEÁ ±ÉÁtÁ
CzÁÁPÁgÁÁ	„ÁPÁðgÁ ÉÉÁ«Á, ÁÁvÁÁÉ.
G»ÁZÁÁPÁgÁÁ	„ÁPÁðgÁ ÉÉÁ«Á, ÁÁvÁÁÉ.
aÁªªÁ, Á»ÁPÁ »zÉÁÁÁPÁgÁÁ	„ÁPÁðgÁ ÉÉÁ«Á, ÁÁvÁÁÉ.

zÁEÉð -1 ( DAÉÁI ±ÉÁtj)

ªÁÁÁRá ÉPÁtC»Áj °ÁUÁE D. „Á.	38310-1220-44410-1410-
ªÁÁÁRá vÁAwÁ z° à	54280-1590-60640.
ªÁÁÁRá aÁªªÁ, Á»ÁPÁgÁÁ ( D.ªÁÁ.ªÁÁ),	
ªÁÁÁRá „AAZÁgÁ aÁªªÁ, Á»ÁPÁgÁÁ	





<p>         ˆ°ÁÁÁÁÁÁ ©,          ˆzÁÁÁÁ gÁPÁPÁ,          ˆzÁÁÁÁ gÁPÁPÁ –PÁ°ÁÁi –gÁÁEA ˆÁÁÁÁi ,          ˆ°ÁÁÁÁÁÁ( PÁbÉÁj ),          ±ÁÁÁUÁgÁ,          °ÁÁÁ° (vÉÁÁI UÁj PÉ),          CmÉAqÁgi ,          zÉÁÁ©,          zÁÉÖ-3       </p>	<p>         10340-140-10620-170-          11300-250-12800-320-          14400           10060-140-10760-170-          11610-250-13110-320-13750..       </p>
<p>         ˆ°ÁÁÁÁÁÁ ˆÁZÁgÁ CÇÁPÁPÁgÁÁ,          ˆ°ÁÁÁÁÁÁ PÁÁÁÁÖ          CÇÁPÁPÁgÁÁ , CÇÁPÁPÁgÁÁ ( 1 SÁÇ ),          CÇÁPÁPÁgÁÁ , (GUÁÁt) ,          CÇÁPÁPÁgÁÁ ( ˆEPÁI ¥ÁvÁÁe ),          CÇÁPÁPÁgÁÁ (CAQ ˆÁÁÁÉÁ)          ¥ÉÁÁUÁÁÁÁgi .       </p>	<p>         16000-640-17920-730-          23030-830-28010.       </p>
<p>         ˆÁZÁgÁ ¸j ÁPÁPÁgÁÁ ,          ¥ÁgÁÁ¥ÁvÉUÁgÁgÁÁ          « ˆÁVÁÁÁÁ ˆzÁÁÁÁ ¸j ÁPÁPÁgÁÁ,          ˆEPÁI¥ÁvÁÁe ¸j ÁPÁPÁgÁÁ          Qj ÁÁÁ C©iÁÁÁÁvÁgÁgÁÁ (PÁ°ÁÁUÁj ),          Qj ÁÁÁ C©iÁÁÁÁvÁgÁgÁÁ («zÁÁÁvÁi ),          ÉÁPÉUÁgÁ ,          »j ÁÁÁ zÁVÁÁe ; UÁgÁ          GUÁÁt gÁPÁPÁ,          °ÉÁÁ° zÁgÁPÁgÁÁ (DqÁ½vÁ),          °ÉÁÁ° zÁgÁPÁgÁÁ( ˆEPÁI ¥ÁvÁÁe ),          °ÉÁÁ° zÁgÁPÁgÁÁ(CAQ ˆÁÁÁÉÁ),          ¥ÉÁÁUÁÁÁÁ Crá ¸ ÉÁÁ gi ,       </p>	<p>         14870-420-15710-530-          17300-640-20500-730-          24150-830-26640.       </p>
<p>         °ÁÁÁRá PÁÁ±Á©PÁ«ÁÖ          ˆ°ÁÁÁÁÁÁ          Qj ÁÁÁ zÁVÁÁe ; UÁgÁ          ˆ°ÁÁÁÁÁÁ ˆÉQUÁ,          CAQ ˆÁÁÁÉÁ ˆ°ÁÁÁÁÁÁ          ˆ°ÁÁÁÁÁÁ GUÁÁt gÁPÁPÁ          ˆ°ÁÁÁÁÁÁ ˆzÁÁÁÁ ¸Áj PÁPÁ          ˆÁÁi ÉÁi Ö.       </p>	<p>         13300-320-14260-420-          15100-530-16690-640-          19890-730-25000.       </p>
<p>         ˆ°ÁÁÁÁÁÁ ˆÁZÁgÁ ¸j ÁPÁPÁ          ˆ°ÁÁÁÁÁÁ ÉÁPÉUÁgÁ          PÁÁ±Á©PÁ«ÁÖ          PÁ°ÁÁ°Á °ÁÁvÁÁU¥Á°ÁgÉ ¸j ÁPÁPÁ       </p>	<p>         12410-250-12910-320-          14190-420-15030-530-          16620-640-19180.       </p>

